



Coin series Changer

CC6000 / CC6100

Installation Guide



International Currency Technologies

Contents

1.	General Information.....	4
1.1.	Features.....	4
1.2.	System Specifications.....	5
1.3.	Dimensions.....	7
1.4.	Module Descriptions.....	8
2.	Installation.....	10
3.	Operation.....	12
3.1.	EZ code overview.....	12
3.2.	Dispensing Coins To Low Level.....	14
3.3.	Operating Function Descriptions.....	15
3.4.	Setting Function Descriptions.....	18
3.5.	Executive Setting Function Descriptions.....	37
3.6.	DIP Switch Setting.....	45
4.	Harness Application.....	46
4.1.	List of Main Wire Harness :.....	46
4.2.	List of Wire Harness for ICT Bill Acceptor :.....	46
4.3.	Wire Harness Pin Assignment for JPSTD interface.....	47
4.4.	Wire Harness Pin Assignment for MDB interface.....	51
4.5.	Wire Harness Pin Assignment for Executive & MDB Interface.....	55
4.6.	Wire Harness Pin Assignment for Download Box.....	57
5.	I/O Circuit.....	58
6.	Maintenance.....	60
7.	Troubleshooting.....	62
7.1.	Error Code Messages.....	62
7.2.	Error Handling.....	63
8.	Firmware Download and Upgrade Instruction.....	77
8.1.	MCU STM32 Firmware Download by FP-004.....	77
8.2.	MCU STM32 Firmware Download by IrDA Special Function.....	80
9.	PC Tool Instruction.....	81
9.1.	Cashfloat Setting.....	81
9.2.	Serial Number Setting.....	86
10.	Read Audit Data.....	87
10.1.	Read Audit Data by ICT MTB.....	87
10.2.	Read Audit Data by IrDA.....	88
11.	Module Assembling Procedure.....	89
11.1.	Upper Module Disassembling:.....	89
11.2.	Recognition Module Disassembling:.....	90
11.3.	Coin Discharge Module Disassembling:.....	91
12.	Module Exploded Views.....	92

Use of Materials Limitations

International Currency Technologies Corporation (ICT) all rights reserved.

All materials contained are the copyrighted property of ICT.

All trademarks, service marks, and trade names are proprietary to ICT.

ICT reserves the right at all times to disclose or to modify any information as ICT deems necessary to satisfy any applicable law, regulation, legal process or governmental request, or to edit, refuse to post or to remove any information or materials, in whole or in part, in ICT's sole discretion.

1. General Information

1.1. Features

- Six tube cassette for maximum coin inventory.
- Easy to use and suitable for vending machines world wide.
- LCM display shows current coin changer status.
- Optional portable programmer to update coin changers installed on vending machines.
- Modular design for cheap and easy maintenance.
- Modular tubes for a variety of coin configuration.
- Adjustable acceptance rate calibration on site.
- High security through state of the art anti-fishing mechanism.

1.2. System Specifications

Supply Voltage	MDB: 20V DC ~ 45V DC MDB: 10V DC ~ 45V DC (Battery Mode) JPSTD: 24V DC $\pm 10\%$ Executive: 24V AC $\pm 10\%$
Power Consumption	Standby mode \leq 3.6W Coin acceptance \leq 15.6W Coin payout \leq 15.6W (36W max. when Power is turned on initially) Battery operation (Power Saving Type) Sleep mode \leq 10uA Standby mode \leq 3.6W(wake-up mode)
Temperature Range Storage Temperature Temperature Change Relative Humidity	-15°C ~ +60°C -30°C ~ +70°C Max. 0.2°C / minute Up to 85% (no condensation)
Serial Interface	MDB (connector: Minifit 6-pin) JPSTD Executive (connector: Molex 15-pin & 9-pin) ¹⁾
Peripherals MDB	MDB Bill Acceptor (for MDB & Executive interface) MDB cashless key reader (for Executive interface only) ICT MTB (Multi Tool Box)
Display	LCM Menu language: English, Русский, Deutsch, Español

¹ In some models interface is selected by DIP Switch or automatically.

Acceptable Coin Size

Coin diameter 16mm ~ 28mm
 Coin Thickness 1.2mm ~ 2.6mm

**Acceptance Speed
Coin payout**

Approx. 1 coin / second
 Max. 6 coin types from a tube cassette

Coin diameter and thickness for dispensing depends on tube cassette type in use

	TUBE					
Coin Diameter mm	A	B	C	D	E	F
26.0 - 28.5	v, *	v, *	-	-	-	-
24.0 - 26.0	v, *	v, *	v	v	v	v
22.0 - 24.0	v, *	v	v	v	v	v
20.0 - 22.0	V	v	v	v	v	v
18.0 - 20.0	V	v	v	v	v	v
16.0 - 18.0	V	v	v	v	v	v
(* Supports Escrow Function)						

Other Functions

Downloadable audit - EVA-DTS by IrDA
 or UART (for MDB & Executive)

Firmware Updates by IrDA (for MDB &
 Executive)

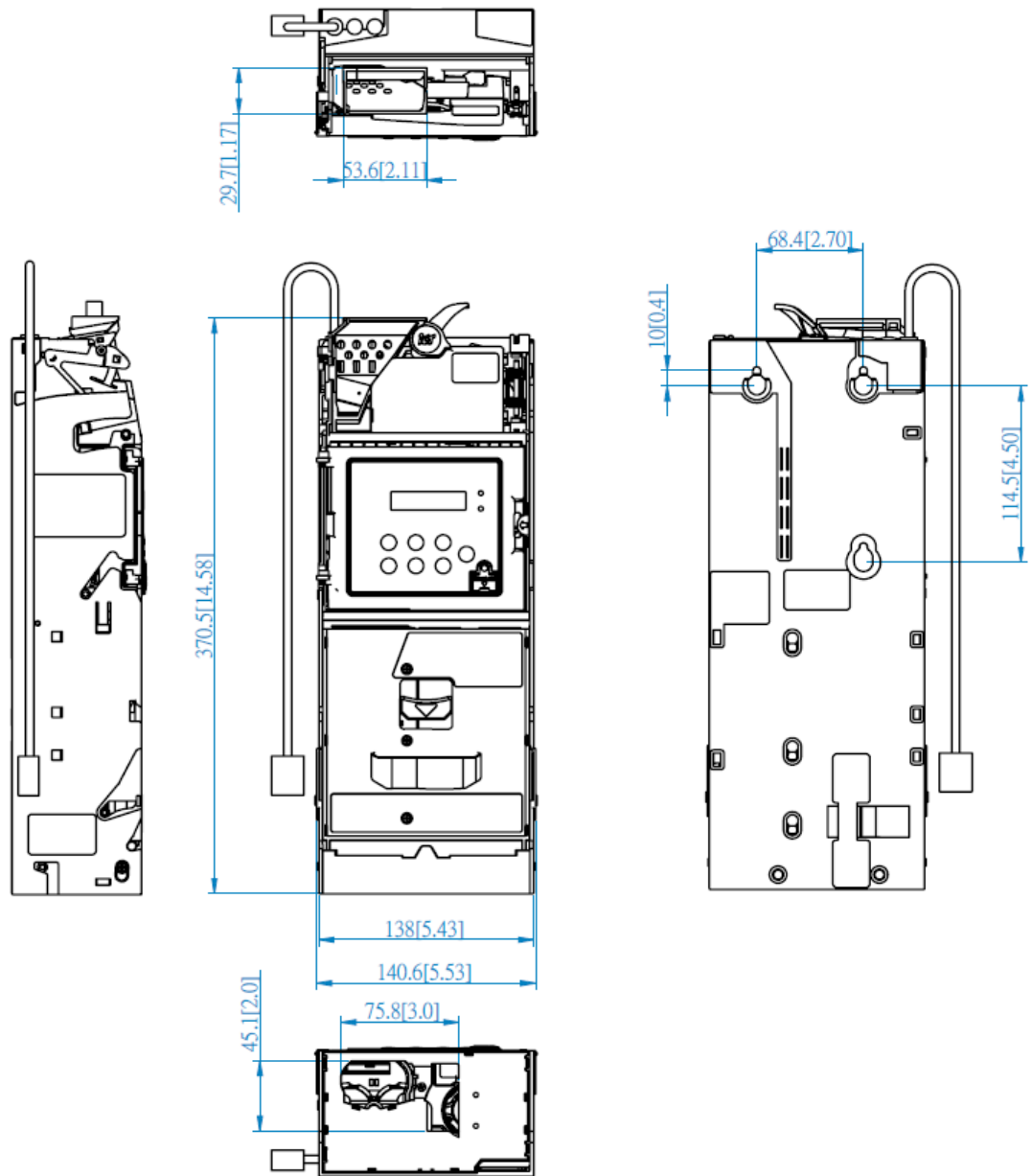
MDB-FTL (only for MDB Interface)

Customer & Product Serial Number
 Setting

99 coin channels

Colored diagnostic LEDs

1.3. Dimensions



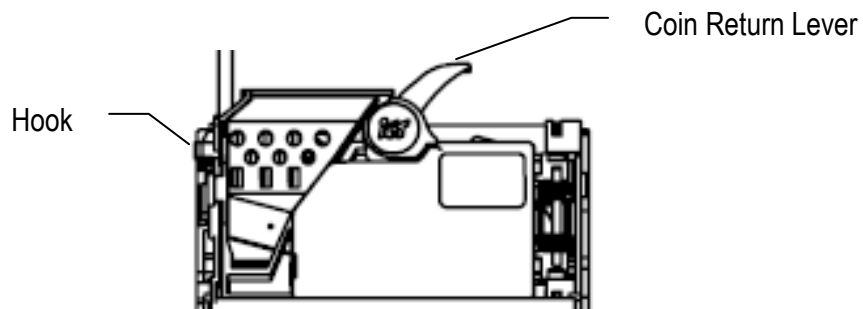
Unit : mm

Mounting position:
Mark of conformity:

Vertical, max. deviation: $\pm 3^\circ$
CE

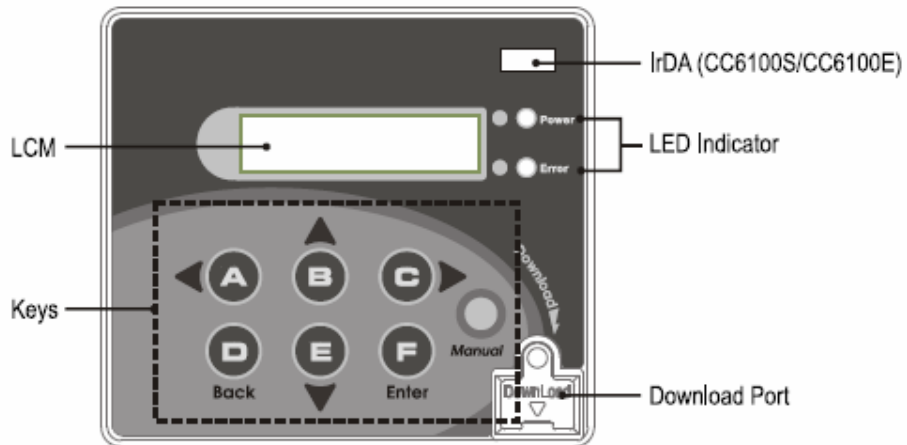
1.4. Module Descriptions

Recognition: As shown in figure below

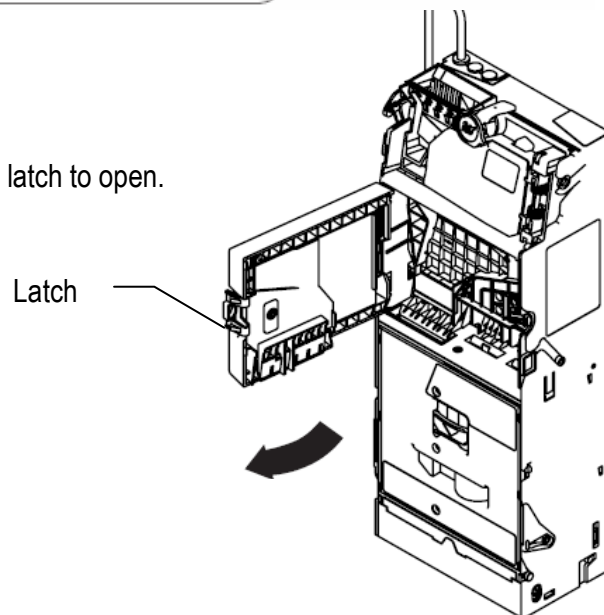


Coin Return Lever: After a coin is inserted, press the coin return button to return the coin

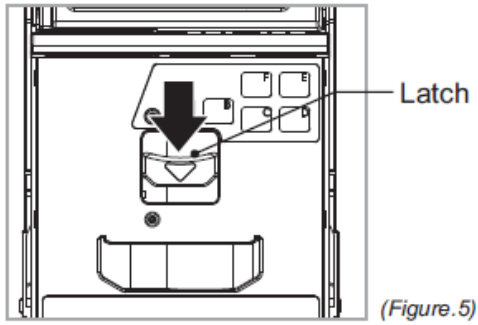
LCM Panel: As shown in figure below



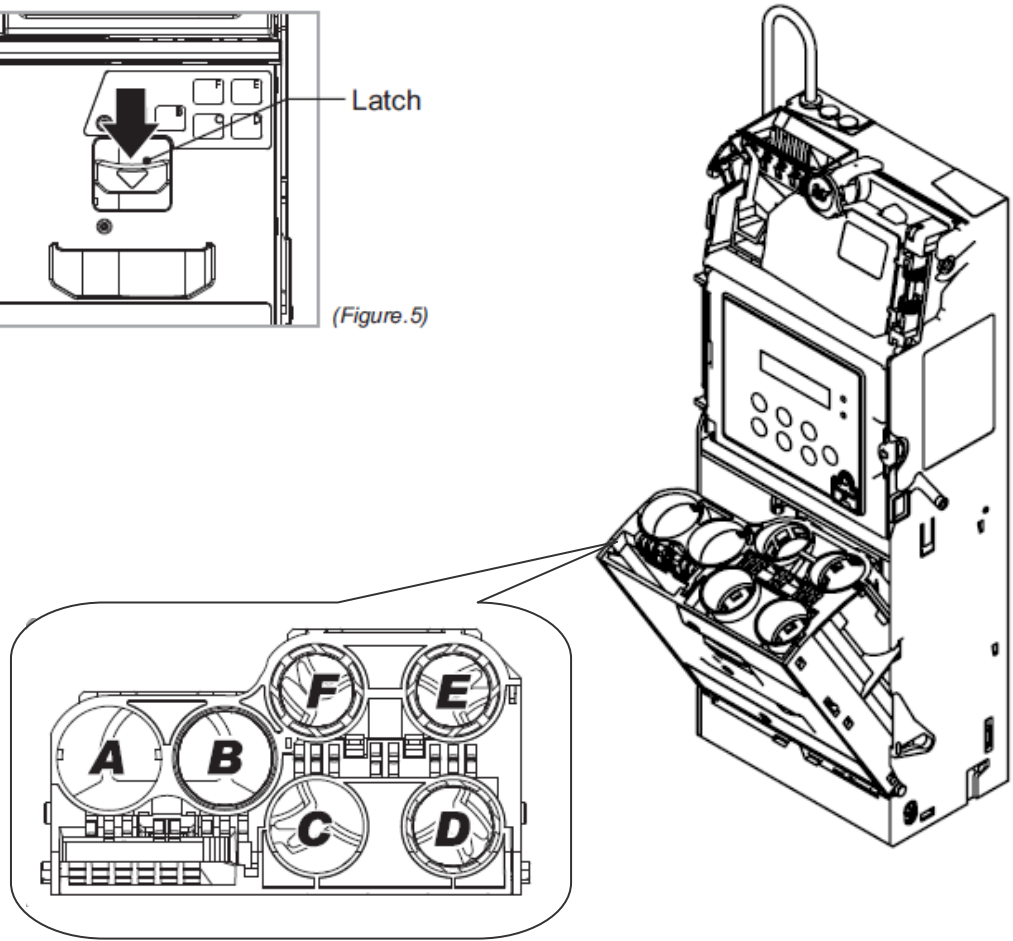
To open the LCM panel, press the latch to open.



Coin Tubes: Press the latch as shown below to remove the coin cassette



(Figure.5)



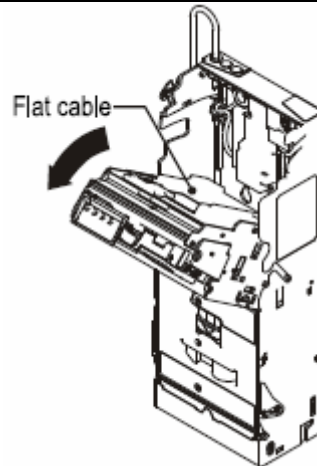
2. Installation

- **Attention!!** Prior installation, please remove the coin changer from the carton and inspect for damages.
- **Attention!!** Turn off VMC Power during installation – **IMPORTANT!!!**
- **Warning!!** Do not plug both MDB and Executive connector to VMC board simultaneously!! It may cause damage of VMC board.

Device Mounting Instruction

1. Press the green hook at the left side of the coin changer and tilt the upper module.

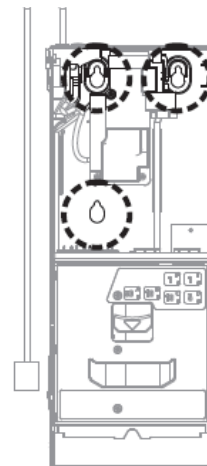
2. Unplug flat cable to separate upper module from device.



3. Loosen the 3 mounting screws 2 or 3 turns. (do not unscrew these completely)
Lift the coin changer to mount inside the vending machine.

4. Tighten the screws and place the upper module back to the device.

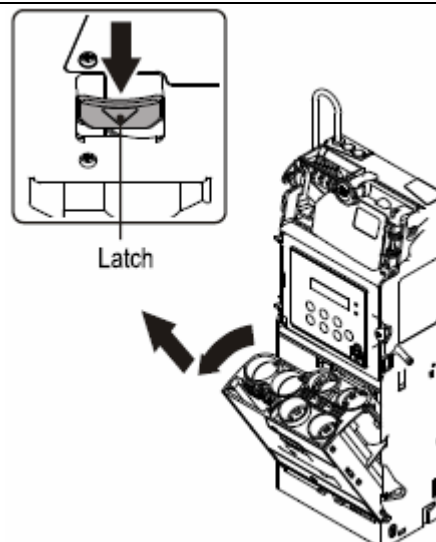
5. Plug flat cable back to upper module then close the upper module until it has been firmly fixed by the green hook.
Plug device power and communication cable to vending machine.



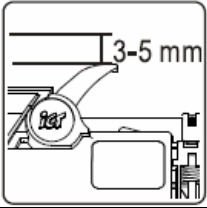
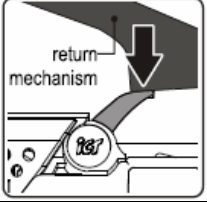
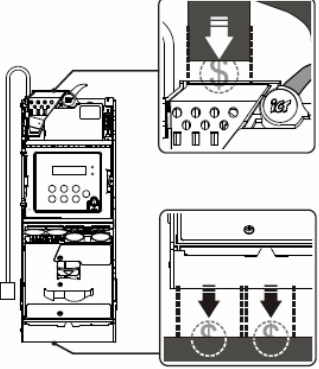
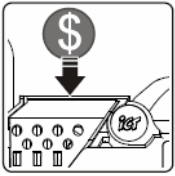
Tube Cassette Refill Instruction



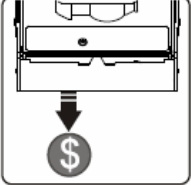
6. Press the green cassette fixed latch to pull out the cassette at an upwardly slanted angle.

7. Refill coins into tube cassette and ensure that the coins enter the corresponding tubes and flatly placed. Then place the tube cassette back to Changer.



Note! You may choose coin refill mode to refill coins without open tube cassette. (Refer to code 100)

Installation Checklist	
	<p>Check that there is a 3 to 5 mm gap between the coin changer return lever and the vending machine return mechanism.</p> 
	<p>Check that when vending machine return lever has been pressed and released, the reject gate of the coin recognition module can be opened and closed properly.</p> 
	<p>Check that the coin insertion, coin return box, and coin storage box channels of the vending machine line up with the corresponding slots of the coin changer. If the slot has not been lined up, please adjust accordingly.</p> 
	<p>Insert a coin to check whether it can pass through the coin changer successfully. Please ensure that there is no interference around the coin recognition module.</p> 

Initialization Checklist	
<p>■ While vending machine in an energized state, please DO NOT plug/unplug any wires on CC6000/CC6100.</p>	
	<p>Please ensure that there are no interferences between the connected wires, the coin insert and return device, and the door of the automatic vending machine. After the inspections are complete, then turn on the vending machine power.</p> 
	<p>Check the amount of coins in each coin tube is above the minimum requirement level. Please refer to sticker on the tube cassette for minimum level information. (The coin changer would not work correctly without enough coins in the coin tubes.) After refill of tube cassette, the coin changer will detect the adequate coin quantity within a few seconds.</p> 
	<p>Dispense at least 1 coin from each coin tube to ensure that the dispensed coins fall into the coin return box of the vending machine.</p> 

3. Operation

3.1. EZ code overview

Operating Functions			
Code	LCM Display	Function Description	
100	Refill Coin	Coin Refill Function by Coin Insertion under Cash Float Mode	-Accessible without password -Cash Float Mode only
101	Total In/Out	Check the Total Coin PayIn and PayOut Value Counter	-Accessible without password
115	Clear Tube Count	Clear Counting Memory of All Coin Tube Inventory	-Accessible without password
129	Language	Set language	-Accessible without password

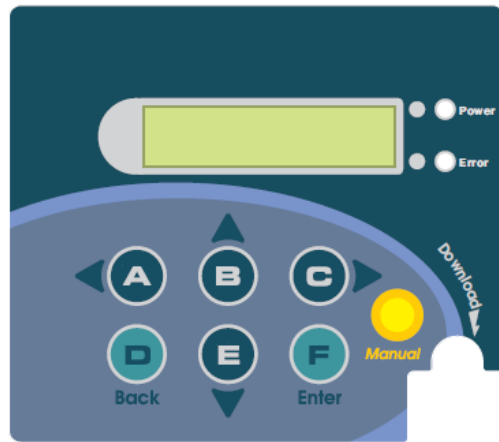
To access all menu functions requires password verification. Press "D" 3 times under main menu to open password input page. Default Password is **ABCD**. See next page for complete menu functions.

Setting Functions			
Code	LCM Display	Function Description	
102	Reset Records	Clear the Total Coin PayIn and PayOut Value Record	
103	Accept/Reject Coin Switch	Set Accept or Reject to Coin Denominations	
104	Tube Open/Close Switch	Set Open or Close to Coin Tubes	
107	Configure Cash Float	Set Cash Float Configuration for Various Coin Denominations	-Cash Float Mode only
108	Activate Cash Float	Set Cash Float Type for Various Coin Denominations	-Cash Float Mode only
109	Check Current Cash Float	Check Current Cash Float of Various Coin Denominations	-Cash Float Mode only
110	Change Mgmt.	Set the Change Return Mode	-JPSTD only
111	Idle Display	Set the Standby LCM Display Mode	-Cash Float Mode only
112	BA Type Setting	Set the BA Interface	-Special Function
113	Default Setting	Restore to Default Factory Settings	
116	Cassette Type	Coin Tube Configuration Mode	-Special Function
117	Error Info	Display Error Message Records	
118	Bill(s) per Transaction	Set the Bill Acceptance Limitation for the BA	-ICT BA only
119	CashFloat Mode	Set Coin Tube Inventory Counting Mode	
120	Set ID	Set Customer & Machine Number	-Special Function
121	Coin->CashBox Setting	Set Coin Acceptance to Cash Box Condition	
122	Expansion Escrow Setting	Set Escrow for NTD 50	-Special Function, only for NTD
123	Sensor Inventory Adjustment	Detect Tube Inventory	
124	Reserved Coin	Set Reserved Coin Function	-Special Function

Code	LCM Display	Function Description	
125	Accessibility options	Set LCM accessibility under door-switch status and password security	
126	Manual Inventory Adjustment	Refill Coin Inventory function by inserting coins into tube cassette directly	-NTD model only
127	Residual Credit	Setup residual credit, price adjusted by Changer	
128	Token Learning Mode	Token learning mode	
130	Reject Lever Setting	Set no refund after inserting payment	
131	Acceptance limit For Changer	Set Credit Acceptance Limit	
132	Maximum for Insert Q'TY	Set limitation of coins in single transaction	
133	Decimal and Scaling	Set Decimal point and Scaling Factor	

Executive Setting Functions			
Code	LCM Display	Function Description	
200	Sell Mode	Set Single Vend or Multi Vend	-Executive only
201	Price Display	Set Price Display on VMC	-Executive only
202	Product Price	Set Product Price Holding by Changer	-Executive only
203	Price Holding	Set Price Holding by Changer or VMC	-Executive only
204	2 nd Price for Cashless	Set 2 nd price for cashless function on or off	-Executive only
205	Enable Bill Acceptor	Set BA enable with or without e-key	-Executive only
206	Decimal Adjustment	Decimal Setting	-Executive only
207	Residual Credit	Setup residual credit	-Executive only
208	Acceptance limit For Changer	Set Credit Acceptance Limit	-Executive only
209	Credit limit For Cashless	Set Credit limit for cashless	-Executive only
210	Bill(s) per Transaction	Set BA limitation per transaction	-Executive only
211	Exact Change Notice	Set exact change notice on display	-Executive only

3.2. Dispensing Coins To Low Level



(Figure.10)

KEY	Function
A	Tube A, move left
B	Tube B, move upward
C	Tube C, move right
D	Tube D, back

KEY	Function
E	Tube E, move downward
F	Tube F, enter
Manual	Enter main menu

Dispensing coins to low level in all coin tubes

- * Press the **return lever** together with **manual** button for 3 seconds. Changer will discharge coins until all tubes reach one under minimum level.
(If the minimum level has not been configured by the user, the default minimum coin level would be applied.)

Dispensing coins to low level in a specific tube

- * Press tube key once to dispense 1 coin from corresponding tube.
- * Press the **return lever** together with the tube key for 3 seconds. Changer will discharge the selected tube until it reaches one under minimum level.

3.3. Operating Function Descriptions

Code	LCM Display	Function Description	Accessibility
100	Refill Coin	Coin Refill Function by Coin Insertion under Cash Float Mode	-Accessible without password -Cash Float Mode only
Default		Definition	
N/A		Enter coin refilling mode to fill up to cash float level of each coin tube. Note! Cash float level depends on code 107 setting.(see 3-2-3)	
LCM		Descriptions	
<div style="border: 1px solid black; padding: 5px; width: fit-content; margin: 0 auto;"> Refill Coin 100 </div>		Press the Manual button. Use A / C to scroll to EZ code 100. Press F to enter.	
Positions <div style="border: 1px solid black; padding: 5px; width: fit-content; margin: 0 auto;"> - A,- B,- C - D,- E,- F </div>		LCM shows required amount of each denomination in sequence from low to high value, as left figure position A to F.	
Require amount <div style="border: 1px solid black; padding: 5px; width: fit-content; margin: 0 auto;"> - 70,- 61,- 55 - 49,- 50,- 53 </div>		In example of EU 6 denominations, position A to F represent denominations of 5cent, 10cent, 20cent, 50cent, 1€ and 2€ .	
Number disappears when tube reach cash float level <div style="border: 1px solid black; padding: 5px; width: fit-content; margin: 0 auto;"> - 40,- 32,- - 40.- .- </div>		Insert coins until all tubes reach cash float level. The counter decreases when refilling coins and disappears when it reaches cash float level. Caution!! Please empty all coin tubes before refilling, and do not repeatedly enter the refill mode among refilling.	
		Manual to exit.	

Code	LCM Display	Function Description	Accessibility
101	Total In/Out	Check the Total Coin PayIn and PayOut Value Counter	-Accessible without password
Default		Definition	
N/A		Display current bookkeeping data.	
LCM		Descriptions	
<div style="border: 1px solid black; padding: 5px; width: fit-content; margin: 0 auto;"> Total In/Out 101 </div>		Press the Manual button. Use A / C to scroll to EZ code 101. Press F to enter.	
<div style="border: 1px solid black; padding: 5px; width: fit-content; margin: 0 auto;"> PayIn : \$0 PayOut: \$0 </div> <div style="border: 1px solid black; padding: 5px; width: fit-content; margin: 0 auto;"> Difference: \$0 </div>		Use B / E to switch the data below: -Pay in amount -Pay out amount -Difference (IN>OUT display "+", OUT>IN display "-") Press Manual to exit.	
		Manual to exit.	

Code	LCM Display	Function Description	Accessibility
115	Clear Tube Count	Clear Counting Memory of All Coin Tube Inventory	-Accessible without password
Default		Definition	
N/A		Clear tube inventory counter's memory.	
LCM		Descriptions	
<div style="border: 1px solid black; padding: 5px; width: fit-content; margin: 0 auto;"> Clear Tube Count </div>		Press the Manual button. Use A / C to scroll to EZ code 115. Press F to enter.	
<div style="border: 1px solid black; padding: 5px; width: fit-content; margin: 0 auto;"> Clear Tube Count Are You Sure? </div>		Press F to clear memory.. Caution!! Please empty the coin tubes before clear memory. Leave coins inside tube cassette may cause operational problem to changer.	
		Manual to exit.	

Code	LCM Display	Function Description	Accessibility
129	Language	Set language	-Accessible without password
Default		Definition	
Depends on region		User can select menu language. -English -Русский -Deutsch -Español	
LCM		Descriptions	
<div style="border: 1px solid black; padding: 5px; display: inline-block;"> Language 129 </div>		Press the Manual button. Use A / C to scroll to EZ code 129. Press F to enter.	
<div style="border: 1px solid black; padding: 5px; display: inline-block;"> English </div>		LCM shows current setting. Press B / E button to select language. Press F to save.	
		Manual to exit.	

3.4. Setting Function Descriptions

Code	LCM Display	Function Description	Accessibility
102	Reset Records	Clear the Total Coin PayIn and PayOut Value Record	
Default		Definition	
N/A		Reset bookkeeping data.	
LCM		Descriptions	
<div style="border: 1px solid black; padding: 5px; width: fit-content;"> Reset Records 102 </div>		Press the Manual button. Use A / C to scroll to EZ code 102. Press F to enter.	
<div style="border: 1px solid black; padding: 5px; width: fit-content;"> Reset Records Are You Sure? </div>		Press F to confirm clearance of the memory.	
<div style="border: 1px solid black; padding: 5px; width: fit-content;"> Data has been erased </div>		LCM shows erased message when data has been erased successfully.	
		Manual to exit.	

Code	LCM Display	Function Description	Accessibility
103	Accept/Reject Coin Switch	Set Accept or Reject to Coin Denominations	
Default		Definition	
All Accept		Setup changer to accept or reject to each denomination.	
LCM		Descriptions	
<div style="border: 1px solid black; padding: 5px; width: fit-content;"> Accept/Reject Coin Switch 103 </div>		Press the Manual button. Use A / C to scroll to EZ code 103. Press F to enter.	
<div style="border: 1px solid black; padding: 5px; width: fit-content;"> EUR\$0.05:Accept "F" to Change </div>		Use B / E to switch coin values. LCM shows current setting of the denomination. Press F to change the setting. (Accept / Reject) Press Manual to save.	
		Manual to exit.	

Code	LCM Display	Function Description	Accessibility
104	Tube Open/Close Switch	Set Open or Close to Coin Tubes	
Default		Definition	
All ON		On/off switch for Tube A, B, C, D, E, and F.	
LCM		Descriptions	
<div style="border: 1px solid black; padding: 5px; width: fit-content;"> Tube Open/Close Switch 104 </div>		Press the Manual button. Use A / C to scroll to EZ code 104. Press F to enter.	
<div style="border: 1px solid black; padding: 5px; width: fit-content;"> TUBE A ON "F" to Change </div>		Use B / E to switch tubes. Press F to change tube setting. (ON / OFF) Press Manual to save.	
		Manual to exit.	

Code	LCM Display	Function Description	Accessibility
107	Configure Cash Float	Set Cash Float Configuration for Various Coin Denominations	-Cash Float Mode only
Default		Definition	
Depends on region Maximum level of each tube		Configure cash float level quantity of each coin value. Coin Changer can save up to 3 types of cash float setting. A coin value's maximum level depends on the maximum level of tube multiple tube number. Note! When coins reach defined cash float level amount, the overflow coins will enter changer's cash box.	
LCM		Descriptions	
<div style="border: 1px solid black; padding: 5px; width: fit-content;">Configure Cash Float 107</div>		Press the Manual button. Use A / C to scroll to EZ code 107. Press F to enter.	
<div style="border: 1px solid black; padding: 5px; width: fit-content;">Float Type A</div>		B / E to switch cash float type, A, B or C. F to adjust selected cash float type.	
<div style="border: 1px solid black; padding: 5px; width: fit-content;">EUR\$ 0.05 Level TO CB 70</div>		LCM shows current setting. B / E to switch coin values. F to adjust quantity.	
<div style="border: 1px solid black; padding: 5px; width: fit-content;">Q'TY? 70</div>		B / E to adjust level, +1 or -1. A / C to adjust level, +10 or -10. Press F to save.	
<div style="border: 1px solid black; padding: 5px; width: fit-content;">Saved</div>		Note! If LCM does not appear saved message, means the settings were not saved, and please reconfirm and press the button F to save the settings.	
<div style="border: 1px solid black; padding: 5px; width: fit-content;">Save Changes? D=NO, F=YES</div>		Press Manual to save the coin type configuration of all coin values. Changer will inquire whether to apply the coin type configuration or not? Press F to apply immediately, or D to save the type configuration only without applying.	
		Manual to exit.	

Code	LCM Display	Function Description	Accessibility
108	Activate Cash Float	Set Cash Float Type for Various Coin Denominations	-Cash Float Mode only
Default		Definition	
		Configure Type of cash float for various coin denominations to be activated.	
LCM		Descriptions	
<div style="border: 1px solid black; padding: 5px; width: fit-content;"> Activate Cash Float 108 </div>		Press the Manual button. Use A / C to scroll to EZ code 108. Press F to enter.	
<div style="border: 1px solid black; padding: 5px; width: fit-content;"> Float Type A </div>		Use B / E button to scroll through types. (Type A, B or C)	
<div style="border: 1px solid black; padding: 5px; width: fit-content;"> Type A Activated </div>		Press F to save.	
		Manual to exit.	

Code	LCM Display	Function Description	Accessibility
109	Check Current Cash Float	Check current cash float setting of various coin denominations.	-Cash Float Mode only
Default		Definition	
		Check current cash float setting of various coin denominations.	
LCM		Descriptions	
<div style="border: 1px solid black; padding: 5px; width: fit-content;"> Check Current Cash Float 109 </div>		Press the Manual button. Use A / C to scroll to EZ code 109. Press F to enter.	
<div style="border: 1px solid black; padding: 5px; width: fit-content;"> \$0.05 Cash Float 070 </div>		Press F to enter cash float information acquiring mode. Use B / E button to scroll through each coin value's cash float configuration. When finished, press Manual button to exit.	
		Manual to exit.	

Code	LCM Display	Function Description	Accessibility
110	Change Mgmt.	Set the Change Return Mode	
Default		Definition	
Highest Value		Setup change return by the original coin value or by the highest coin value. Org. Coin Value: return by original inserted sequence. Highest Value: return starting from highest coin value. When changer cannot return by highest value, it returns by original coin value. Note! This function only works with the JPSTD interface	
LCM		Descriptions	
<div style="border: 1px solid black; padding: 5px; width: fit-content;"> Change Mgmt. 110 </div>		Press the Manual button. Use A / C to scroll to EZ code 110. Press F to enter.	
<div style="border: 1px solid black; padding: 5px; width: fit-content;"> Highest Value "F" to Change </div>		Press F to change its current setting. (Highest Value/Original Coin Value) When finished, press Manual button to exit.	
		Manual to exit.	

Code	LCM Display	Function Description	Accessibility
111	Idle Display	Set the Standby LCM Display Mode	
Default		Definition	
Coin Q'TY		Change coin changer's LCM display in standby status. Coin Q'TY: display coins in each tube. Total Coin Value: display total amount of vending.	
LCM		Descriptions	
<div style="border: 1px solid black; padding: 5px; width: fit-content;"> Idle Display 111 </div>		Press the Manual button. Use A / C to scroll to EZ code 111. Press F to enter.	
<div style="border: 1px solid black; padding: 5px; width: fit-content;"> Coin Q'TY "F" to Change </div>		Press F again to change display method. (Coin Q'TY/Total Coin Value) When finished, press Manual button to exit.	
		Manual to exit.	

Code	LCM Display	Function Description	Accessibility
112	BA Type Setting	Set the BA Interface	6100E excluded
Default		Definition	
		Select type of connected bill acceptor. (Only work on ICT Bill Acceptor connect to Coin Changer) Note! This is a special function. The Coin Changer must lap joint with the ICT Bill Acceptor for this function to work.	
LCM		Descriptions	
<div style="border: 1px solid black; padding: 5px; width: fit-content;"> BA Type Setting 112 </div>		Press the Manual button. Use A / C to scroll to EZ code 112. Press F to enter.	
<div style="border: 1px solid black; padding: 5px; width: fit-content;"> BA: JPSTD "F" to Change </div>		Press F again to change BA type setting. (JPSTD/JPSTD with escrow/MDB/MDB with escrow) When finished, press Manual button to exit.	
		Manual to exit.	

Code	LCM Display	Function Description	Accessibility
113	Default Setting	Restore to Default Factory Settings	
Default		Definition	
N/A		Restore factory default setting. Example: cash float...etc. Cash float setting will be reset to low level of each denomination.	
LCM		Descriptions	
<div style="border: 1px solid black; padding: 5px; width: fit-content;"> Default Setting 113 </div>		Press the Manual button. Use A / C to scroll to EZ code 113. Press F to enter.	
<div style="border: 1px solid black; padding: 5px; width: fit-content;"> Are You Sure? </div>		Press F to restore factory setting mode. Press F again to confirm of reset to factory default, changer restart automatically. Otherwise, press Manual to cancel.	
		Manual to exit.	

Code	LCM Display	Function Description	Accessibility
116	Cassette Type	Coin Tube Configuration Mode	
Default		Definition	
		Configure the tube coin assignment without change the firmware.	
LCM		Descriptions	
<div style="border: 1px solid black; padding: 5px; width: fit-content;"> Cassette Type 116 </div>		Press the Manual button. Use A / C to scroll to EZ code 116. Press F to enter.	
<div style="border: 1px solid black; padding: 5px; width: fit-content;"> Tube Type 01 </div>		Use B / E button to scroll through different selections. (Please ask your dealer or sales for the tube assignment availability.) Press F to confirm tube coin assignment.	
<div style="border: 1px solid black; padding: 5px; width: fit-content;"> Configuration Finished </div>			
<div style="border: 1px solid black; padding: 5px; width: fit-content;"> Coin Float->Max D=NO , F=YES </div>		Changer inquires automatically whether to set tube inventory (cash float) to maximum amount? Press D to remain previous cash float setting. Otherwise, press F to change cash float setting to maximum amount of the selected tube configuration.	
<div style="border: 1px solid black; padding: 5px; width: fit-content;"> Restore Finished </div>			
		Manual to exit.	

Code	LCM Display	Function Description	Accessibility
117	Error Info	Display Error Message Records	
Default		Definition	
N/A		Display coin changer's last one error issue occurred during operation. Coin Changer keeps last record of error message even after the error has been solved.	
LCM		Descriptions	
	<div style="border: 1px solid black; padding: 5px; width: fit-content;"> Error Info 115 </div>	Press the Manual button. Use A / C to scroll to EZ code 117. Press F to enter.	
	<div style="border: 1px solid black; padding: 5px; width: fit-content;"> No Error </div>	Changer will display error message if there is any. Error message including 'Sorting Error', 'TubeSensor Error' or 'Motor Error.' When finished, press Manual button to exit.	
		Manual to exit.	

Code	LCM Display	Function Description	Accessibility
118	Bill(s) per Transaction	Set the Bill Acceptance Limitation for the BA	
Default		Definition	
1		Configure limited number of bills accepted per transaction. (Only works on ICT Bill Acceptor connect directly to the Coin Changer) Configurable number of bill: 1 to 9 Note! This is a special function. The Coin Changer must be equipped with the ICT Bill Acceptor for this function to work.	
LCM		Descriptions	
	<div style="border: 1px solid black; padding: 5px; width: fit-content;"> Bill(s) per Transaction 118 </div>	Press the Manual button. Use A / C to scroll to EZ code 118. Press F to enter.	
	<div style="border: 1px solid black; padding: 5px; width: fit-content;"> # of Bill 1 Bill(s) </div>	Use B / E button to change bill limitation number.	
	<div style="border: 1px solid black; padding: 5px; width: fit-content;"> Configuration Finished </div>	Note! The page below would appear after each save. If this page does not appear, that means the settings were not saved, and please retry setting. When finished, press Manual button to exit.	
		Manual to exit.	

Code	LCM Display	Function Description	Accessibility
119	CashFloat Mode	Set Coin Tube Inventory Counting Mode	
Default		Definition	
Cashfloat Mode Default amount is the maximum level of each tube.		<p>Select counting method of coin tube inventory.</p> <p>Cashfloat Mode: Changer system keeps counting coin number among tubes. Even after reboot or power reset, coin inventory data remains in memory.</p> <p>Sensor Mode: After reboot or power reset, coin changer detects coin inventory in tubes through low level sensor and high level sensor. Changer displays N, L or H according to coin amount: N – Tube empty L – Coins reach low level amount H – Coins reach high level amount</p> <div style="border: 1px solid black; padding: 5px; width: fit-content; margin: 10px auto;"> <p>A=N , B=N , C=N D=L . E=H . F=H</p> </div> <p>Some operational functions are unavailable under sensor mode, including 100, 107, 108, 109 and 111.</p>	
LCM		Descriptions	
<div style="border: 1px solid black; padding: 5px; width: fit-content;"> <p>CashFloat Mode 119</p> </div>		<p>Press the Manual button. Use A / C to scroll to EZ code 119. Press F to enter.</p>	
<div style="border: 1px solid black; padding: 5px; width: fit-content;"> <p>Cash Float "F" to Change</p> </div>		<p>Changer displays current inventory counting mode. Press F to change inventory counting method.</p> <p>Note! When counting method is changed to Cashfloat mode, the cashfloat setting is changed to maximum amount automatically.</p> <p>When finished, press Manual button to exit.</p>	
		Manual to exit.	

Code	LCM Display	Function Description	Accessibility
120	Set ID	Set Customer & Machine Number	
Default		Definition	
N/A		Configure Customer & Machine Number of Coin Changer Configurable Range: Customer Number contains 16 digits and each digit applies to 0 - 9. Machine Number contains 12 digits and each digit applies to 0 - 9 or A - Z.	
LCM		Descriptions	
	<div style="border: 1px solid black; padding: 5px; width: fit-content;"> Set ID 120 </div>	Press the Manual button. Use A / C to scroll to EZ code 120. Press F to enter.	
	<div style="border: 1px solid black; padding: 5px; width: fit-content;"> Set ID Machine Number </div> <div style="border: 1px solid black; padding: 5px; width: fit-content; margin-top: 10px;"> Set ID Customer Number </div>	Use B / E button to select Customer Number or Machine Number to setup. Press F to set the ID.	
	<div style="border: 1px solid black; padding: 5px; width: fit-content;"> Machine Number 123456789012 </div> <div style="border: 1px solid black; padding: 5px; width: fit-content; margin-top: 10px;"> Customer Number 1234567890123456 </div>	Press B / E to plus/minus number. Press A / C to shift configured digit. When finished, press F to save the ID.	
		Manual to exit.	

Code	LCM Display	Function Description	Accessibility
121	Coin->CashBox Setting	Set Coin Acceptance to Cash Box Condition	
Default		Definition	
	Same Coin Value	Setup conditions of coin acceptance to cash box. Same Coin Value: After a coin accepted, check the accepted denomination total in changer. When changer can return the same denomination coins in the changer, the coin falls into cash box, otherwise it is rejected. Total Coin Value: After a coin accepted, check total accepted value. When changer can return the value, the accepted coin falls into cash box, otherwise it is rejected.	
LCM		Descriptions	
	<div style="border: 1px solid black; padding: 5px; width: fit-content;"> Coin->CashBox Setting 121 </div>	Press the Manual button. Use A / C to scroll to EZ code 121. Press F to enter.	
	<div style="border: 1px solid black; padding: 5px; width: fit-content;"> Same Coin Value "F" to Change </div>	Changer displays current setting. Press F to change setting. (Same Coin Value / Total Coin Value) When finished, press Manual button to exit.	
		Manual to exit.	

Code	LCM Display	Function Description	Accessibility
122	Expansion Escrow Setting	Set Escrow for NTD 50	This function only apply to NTD Type Changer.
Default		Definition	
	OFF	Setup condition of 50NTD into escrow or cash box. Escrow ON: 50NTD coin goes into cash box when changer can return from cassette; otherwise 50NTD coin is returned. Escrow OFF: 1 st and 2 nd 50NTD coins go into escrow, 3 rd one is returned.	
LCM		Descriptions	
	<div style="border: 1px solid black; padding: 5px; width: fit-content;"> Expansion Escrow Setting 122 </div>	Press the Manual button. Use A / C to scroll to EZ code 122. Press F to enter.	
	<div style="border: 1px solid black; padding: 5px; width: fit-content;"> Escrow ON "F" to Change </div>	Changer displays current escrow setting. Press F to change escrow setting to ON or OFF. When finished, press Manual button to exit.	
		Manual to exit.	

Code	LCM Display	Function Description	Accessibility
123	Sensor Inventory Adjustment	Detect Tube Inventory	Unavailable Model: 6100S, 6100E Unavailable Coin: EUR, RUR, ROL, HUF
Default		Definition	
N/A		Detect tube inventory and overwrite tube count data.	
LCM		Descriptions	
<div style="border: 1px solid black; padding: 5px; width: fit-content;"> Sensor Inventory Adjustment 123 </div>		Press the Manual button. Use A / C to scroll to EZ code 123. Press F to enter.	
<div style="border: 1px solid black; padding: 5px; width: fit-content;"> Scan Inventory? D=NO, F=YES </div>		Press D to cancel.	
<div style="border: 1px solid black; padding: 5px; width: fit-content;"> Finished </div>		Press F to read the coin inventory and save the inventory amount. The changer displays message as left when tube count has been overwritten successfully, then back to main configuration screen automatically.	
		Manual to exit.	

Code	LCM Display	Function Description	Accessibility
124	Reserved Coin	Set Reserved Coin Function	
Default		Definition	
ON		Setup reserved coin function to ON or OFF. Reserved Coin ON: Changer will not pay out to last coin among operation, specific number of coins will reserve inside tubes, around 4 coins. The reserved coin number depends on different region. Reserved Coin OFF: Changer pays out to last coin in tubes.	
LCM		Descriptions	
<div style="border: 1px solid black; padding: 5px; width: fit-content;"> Reserved Coin 124 </div>		Press the Manual button. Use A / C to scroll to EZ code 124. Press F to enter.	
<div style="border: 1px solid black; padding: 5px; width: fit-content;"> ON "F" to Change </div>		Changer displays current setting. Press F to change reserved coin setting to ON or OFF. When finished, press Manual button to exit.	
		Manual to exit.	

Code	LCM Display	Function Description	Accessibility
125	Accessibility options	Set LCM accessibility under door-switch status and password security	
Default		Definition	
Door-OFF PW-ON		Setup LCM accessibility under door-switch status and setup password security. Door-ON: LCM inaccessible under door closing Door-OFF: LCM accessible under door closing PW-ON: Require password to access all LCM function PW-OFF: Require no password to access all LCM function	
LCM		Descriptions	
<div style="border: 1px solid black; padding: 5px; width: fit-content;"> Accessibility options 125 </div>		Press the Manual button. Use A / C to scroll to EZ code 125. Press F to enter.	
<div style="border: 1px solid black; padding: 5px; width: fit-content;"> Door: ON Password: OFF </div> <div style="border: 1px solid black; padding: 5px; width: fit-content;"> Saved </div>		Press B / E button to select setting. Press F to save the setting. The changer display saved message when setting has been overwritten successfully..	
		Manual to exit.	

Code	LCM Display	Function Description	Accessibility
126	Manual Inventory Adjustment	Refill Coin Inventory by inserting coins into tube cassette directly	NTD only
Default		Definition	
N/A		Allow user to refill coins by inserting coins into tube cassette directly. The tube refill procedure is select code 126, check refill amount on display, take out cassette, refill coins into cassette, put cassette back then push Enter to finish refill procedure. Please notice that changer do not count refilled coin amount, user need to put exact coin amount as requirement. The required coin amount may vary according to code 108 setting.	
LCM		Descriptions	
<div style="border: 1px solid black; padding: 5px; width: fit-content;"> Manual Inventory Adjustment 126 </div>		Press the Manual button. Use A / C to scroll to EZ code 126. Press F to enter.	
<div style="border: 1px solid black; padding: 5px; width: fit-content;"> A--- B--- C--- D--- E--- F--- </div>		LCM displays required refill amount of each tube. Make sure cassette has enough coins as required.	
<div style="border: 1px solid black; padding: 5px; width: fit-content;"> Saved? D=NO , F=YES </div>		Press F to save.	
<div style="border: 1px solid black; padding: 5px; width: fit-content;"> Overwrite Finished </div>		The changer display finished message when setting has been overwritten successfully.	
		Manual to exit.	

Code	LCM Display	Function Description	Accessibility
127	Residual Credit	Setup residual credit	
Default		Definition	
		When the Coin Changer cannot return the coins completely, leave the surplus credit in VMC or delete it. User allow to setup residual credit, vending sales adjusted by Changer. Please notice that the function requires VMC support, allow the residual credit to stay and further vend can be made.	
LCM		Descriptions	
<div style="border: 1px solid black; padding: 5px; text-align: center;"> Residual Credit 127 </div>		Press the Manual button. Use A / C to scroll to EZ code 127. Press F to enter.	
<div style="border: 1px solid black; padding: 5px; text-align: center;"> Delete "F" to Change </div>		Changer displays current setting. Press F to change reserved coin setting to Delete or Not Delete. When finished, press Manual button to exit.	
		Manual to exit.	

Code	LCM Display	Function Description	Accessibility
128	Token Learning Mode	Token learning mode	6100M EUR 6100E EUR
Default		Definition	
		User can teach Changer 2 kinds of token through LCM. (Token A or B) Each token requires at least 3 for learning.	
LCM		Descriptions	
<div style="border: 1px solid black; padding: 5px; width: fit-content;"> Token Learning Mode 128 </div>		Press the Manual button. Use A / C to scroll to EZ code 128. Press F to enter.	
<div style="border: 1px solid black; padding: 5px; width: fit-content;"> Token Type A </div>		Use B / E button to select token A or B. Press F to configure token, to learn or to delete.	
<div style="border: 1px solid black; padding: 5px; width: fit-content;"> Token A Learn </div>		To learn token, use B / E button to select token learn function. Press F to learn. Follow display instruction to insert token. 3 to 10 tokens are required for learning. When finished, press Manual button to exit. LCM shows success message when token learning is successful. Otherwise, LCM shows failure when token learning is fail.	
<div style="border: 1px solid black; padding: 5px; width: fit-content;"> Learn Mode: Insert Token </div>			
<div style="border: 1px solid black; padding: 5px; width: fit-content;"> Success </div>			
<div style="border: 1px solid black; padding: 5px; width: fit-content;"> Token A Delete </div>		To delete token, use B / E button to select token delete function. Press F to delete. LCM display erased message when setting has been erased successfully.	
<div style="border: 1px solid black; padding: 5px; width: fit-content;"> Token Erased </div>			
		Manual to exit.	

Code	LCM Display	Function Description	Accessibility
130	Reject Lever Setting	Set no refund after inserting payment	6100M
Default		Definition	
		User can set vending machine to no refund after inserting payment. ON : set vending machine to refund by pressing reject button OFF : set vending machine to no refund.	
LCM		Descriptions	
<div style="border: 1px solid black; padding: 5px; width: fit-content;"> Reject Lever Setting 130 </div>		Press the Manual button. Use A / C to scroll to EZ code 130. Press F to enter.	
<div style="border: 1px solid black; padding: 5px; width: fit-content; text-align: center;"> ON "F" to Change </div>		Changer displays current setting. Press F to change setting. (ON or OFF) When finished, press Manual button to exit.	
		Manual to exit.	

Code	LCM Display	Function Description	Accessibility
131	Acceptance limit For Changer	Set Credit Acceptance Limit	6100M KRW only
Default		Definition	
0		When the total credit of coins and bills exceeds the acceptance limit (over the limitation amount), the Coin Changer & Bill Acceptor will be disabled. And the LCM of Coin Changer will show "Acceptance Limit Reached!" (When this option setting is "0", there is no limit.)	
LCM		Descriptions	
<div style="border: 1px solid black; padding: 5px; width: fit-content;"> Acceptance Limit For Changer 208 </div>		Press the Manual button. Use A / C to scroll to EZ code 208. Press F to enter.	
<div style="border: 1px solid black; padding: 5px; width: fit-content;"> Acceptance Limit \$00.0 </div>		LCM displays current setting. Press B / E to plus/minus number. Press A / C to shift configured digit.	
<div style="border: 1px solid black; padding: 5px; width: fit-content;"> Acceptance Limit Saved </div>		When finished, press F to save.	
		Manual to exit.	

Code	LCM Display	Function Description	Accessibility
132	Maximum for Insert Q'TY	Set limitation of inserted coins in single transaction	6100M KRW only
Default		Definition	
		Use can define a limitation number of coins during a single vend. When inserted coins exceed the number of limitation, the exceeded coins will be returned.	
LCM		Descriptions	
<div style="border: 1px solid black; padding: 5px; width: fit-content;"> Maximum for Insert Q'TY 132 </div>		Press the Manual button. Use A / C to scroll to EZ code 132. Press F to enter.	
<div style="border: 1px solid black; padding: 5px; width: fit-content;"> Acceptance Limit 00 PCS </div>		LCM displays current setting. Press B / E to plus/minus number. Press A / C to shift configured digit.	
<div style="border: 1px solid black; padding: 5px; width: fit-content;"> Acceptance Limit Saved </div>		When finished, press Manual button to save and exit.	
		Manual to exit.	

Code	LCM Display	Function Description	Accessibility
133	Decimal and Scaling	Set Decimal point and Scaling Factor	6100M EUR 6100E EUR
Default		Definition	
Decimal 0 Scaling 1		Setup the decimal point and scaling factor of vending values to VMC. To prevent the counting value error, please make sure the value can be divided to integer under the decimal and scaling setting. Decimal Point: 0 – 2 Scaling Factor: 1 – 255	
LCM		Descriptions	
<div style="border: 1px solid black; padding: 5px; display: inline-block;"> Decimal and Scaling 133 </div>		Press the Manual button. Use A / C to scroll to EZ code 133. Press F to enter.	
<div style="border: 1px solid black; padding: 5px; display: inline-block; margin-bottom: 5px;"> Decimal </div> <div style="border: 1px solid black; padding: 5px; display: inline-block; margin-bottom: 5px;"> Decimal Place: 0 </div> <div style="border: 1px solid black; padding: 5px; display: inline-block;"> Saved </div>		To setup Decimal, use B / E button to select Decimal. Press F to set. LCM displays current setting. Press B / E to plus/minus number. When finished, press F to save.	
<div style="border: 1px solid black; padding: 5px; display: inline-block; margin-bottom: 5px;"> Scaling </div> <div style="border: 1px solid black; padding: 5px; display: inline-block; margin-bottom: 5px;"> Scaling Factor : 001 </div> <div style="border: 1px solid black; padding: 5px; display: inline-block;"> Saved </div>		To setup Decimal, use B / E button to select Decimal. Press F to set. LCM displays current setting. Press B / E to plus/minus number. When finished, press F to save.	
		Manual to exit.	

3.5. Executive Setting Function Descriptions

Code	LCM Display	Function Description	Accessibility
200	Sell Mode	Set Single Vend or Multi Vend	Executive only
LCM		Descriptions	
Single Vend		Setup condition of vending criteria to single vending mode or multi vending mode. Single Vend: After a transaction is made, vending machine returns changes and closes the transaction. Multi Vend: After a transaction is made, vending machine does not return change and the transaction stays open unless return lever is triggered.	
LCM		Descriptions	
<div style="border: 1px solid black; padding: 5px; width: fit-content;"> Sell Mode 200 </div>		Press the Manual button. Use A / C to scroll to EZ code 200. Press F to enter.	
<div style="border: 1px solid black; padding: 5px; width: fit-content;"> MODE: Single "F" to Change </div>		Changer displays current setting. Press F to change setting. (Single or Multi) When finished, press Manual button to exit.	
		Manual to exit.	

Code	LCM Display	Function Description	Accessibility
201	Price Display		Executive only
Default		Definition	
Disable		Setup whether to display product price on VMC monitor or not. Disable: not to display product price Enable: display product price	
LCM		Descriptions	
<div style="border: 1px solid black; padding: 5px; width: fit-content;"> Price Display 201 </div>		Press the Manual button. Use A / C to scroll to EZ code 201. Press F to enter.	
<div style="border: 1px solid black; padding: 5px; width: fit-content;"> MODE: Disable "F" to Change </div>		LCM displays current setting. Press F to change setting. (Disable or Enable) When finished, press Manual button to exit.	
		Manual to exit.	

Code	LCM Display	Function Description	Accessibility
202	Product Price	Set Product Price Holding by Changer	Executive only
Default		Definition	
N/A		Setup product price. The price is applied only when it is hold by changer. To set price holding mode, please refer to code 203.	
LCM		Descriptions	
<div style="border: 1px solid black; padding: 5px; width: fit-content;"> Product Price 202 </div>		Press the Manual button. Use A / C to scroll to EZ code 202. Press F to enter.	
<div style="border: 1px solid black; padding: 5px; width: fit-content;"> Channel: NO.01 "F" to Change </div>		Use B / E button to select channel. Press F to configure channel.	
<div style="border: 1px solid black; padding: 5px; width: fit-content;"> Set Price \$01.00 </div> <div style="border: 1px solid black; padding: 5px; width: fit-content; margin-top: 10px;"> Set Price Finished </div>		LCM shows current price. Press B / E to plus/minus number. Press A / C to shift configured digit. When finished, press F to save.	
<div style="border: 1px solid black; padding: 5px; width: fit-content;"> Cash cashless \$02.00 \$01.00 </div> <div style="border: 1px solid black; padding: 5px; width: fit-content; margin-top: 10px;"> Set Price Finished </div>		When code 204 is set to Enable, the 2 nd bonus price in the right side can be set. LCM shows current price. Press B / E to plus/minus number. Press A / C to shift configured digit. When finished, press F to save.	
		Manual to exit.	

Code	LCM Display	Function Description	Accessibility
203	Price Holding	Set Price Holding by Changer or VMC	Executive only
Default		Definition	
VMC		Setup whether the product price is hold by Changer or VMC.	
LCM		Descriptions	
<div style="border: 1px solid black; padding: 5px; width: fit-content;"> Price Holding 203 </div>		Press the Manual button. Use A / C to scroll to EZ code 203. Press F to enter.	
<div style="border: 1px solid black; padding: 5px; width: fit-content;"> MODE: VMC "F" to Change </div>		LCM displays current setting. Press F to change setting. (VMC or Changer) When finished, press Manual button to exit.	
		Manual to exit.	

Code	LCM Display	Function Description	Accessibility
204	2nd Price For Cashless	Set 2nd price for cashless function on or off	Executive only
Default		Definition	
Disable		Setup whether the 2 nd price for cashless function to on or off.	
LCM		Descriptions	
<div style="border: 1px solid black; padding: 5px; width: fit-content;"> 2nd Price For Cashless 204 </div>		Press the Manual button. Use A / C to scroll to EZ code 204. Press F to enter.	
<div style="border: 1px solid black; padding: 5px; width: fit-content;"> Enable "F" to Change </div>		LCM displays current setting. Press F to change setting. (Enable or Disable) When finished, press Manual button to exit.	
		Manual to exit.	

Code	LCM Display	Function Description	Accessibility
205	Enable Bill Acceptor	Set BA enable with or without e-key	Executive only
Default		Definition	
Always		Setup Bill Acceptor enable with or without e-key connection. Always: BA always enable, requires no e-key connection. If card present: BA only enable under e-key connection.	
LCM		Descriptions	
<div style="border: 1px solid black; padding: 5px; width: fit-content;"> Enable Bill Acceptor 205 </div>		Press the Manual button. Use A / C to scroll to EZ code 205. Press F to enter.	
<div style="border: 1px solid black; padding: 5px; width: fit-content;"> Always "F" to Change </div>		LCM displays current setting. Press F to change setting. (Always or If card present) When finished, press Manual button to exit.	
		Manual to exit.	

Code	LCM Display	Function Description	Accessibility
206	Decimal Adjustment	Decimal Setting	Executive only
Default		Definition	
Depends on region		Change the decimal point setting to display on VMC under executive interface. Decimal digit from 0 to 2 can be set. Note! Some region may have limitation on decimal digit setting. Note! After 206 setting changed, other functions including 202, 208 and 209 would restore to default. Please be sure to set function 206 in the beginning.	
LCM		Descriptions	
<div style="border: 1px solid black; padding: 5px; width: fit-content;"> Decimal Adjustment 206 </div>		Press the Manual button. Use A / C to scroll to EZ code 206. Press F to enter.	
<div style="border: 1px solid black; padding: 5px; width: fit-content;"> Decimal: 0 </div>		LCM displays current setting. Use B / E button to add or minus the digit of decimal point from 0 to 2..	
<div style="border: 1px solid black; padding: 5px; width: fit-content;"> Saved </div>		When finished, press F to save the decimal point position.	
		Manual to exit.	

Code	LCM Display	Function Description	Accessibility
207	Residual Credit	Setup residual credit	Executive only
Default		Definition	
Not Delete		When the Coin Changer cannot return the coins completely, leave the surplus credit in VMC or delete it.	
LCM		Descriptions	
<div style="border: 1px solid black; padding: 5px; width: fit-content;">Residual Credit 207</div>		Press the Manual button. Use A / C to scroll to EZ code 207. Press F to enter.	
<div style="border: 1px solid black; padding: 5px; width: fit-content;">Delete "F" to Change</div>		LCM displays current setting. Press F to change setting. (Delete or Not Delete) When finished, press Manual button to exit.	
		Manual to exit.	

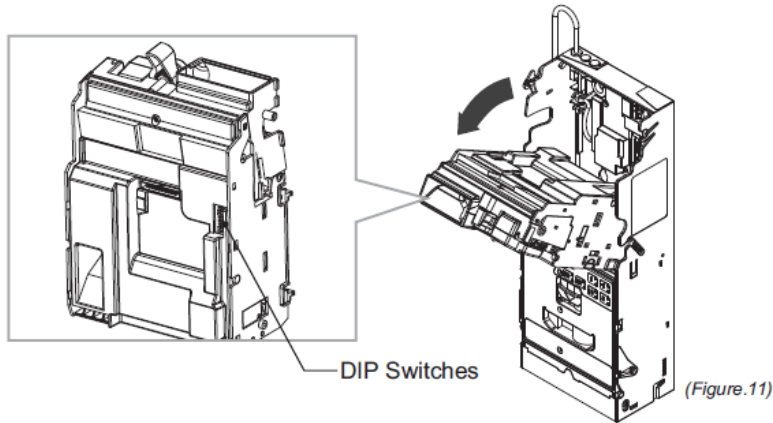
Code	LCM Display	Function Description	Accessibility
208	Acceptance Limit For Changer	Set Credit Acceptance Limit	Executive only
Default		Definition	
30		When the total credit of coins and bills exceeds the acceptance limit (over the limitation amount), the Coin Changer & Bill Acceptor will be disabled. And the LCM of Coin Changer will show " Acceptance Limit Reached!" (When this option setting is "0", there is no limit.)	
LCM		Descriptions	
<div style="border: 1px solid black; padding: 5px; width: fit-content;">Acceptance Limit For Changer 208</div>		Press the Manual button. Use A / C to scroll to EZ code 208. Press F to enter.	
<div style="border: 1px solid black; padding: 5px; width: fit-content;">Acceptance Limit \$00.0</div> <div style="border: 1px solid black; padding: 5px; width: fit-content;">Acceptance Limit Saved</div>		LCM displays current setting. Press B / E to plus/minus number. Press A / C to shift configured digit. When finished, press F to save.	
		Manual to exit.	

Code	LCM Display	Function Description	Accessibility
209	Credit Limit For Cashless	Set Credit limit for cashless	Executive only
Default		Definition	
30		When the top-up credit of cashless device (E-key) exceeds the credit limit, the Coin Changer & Bill Acceptor will be disabled. And the LCM of Coin Changer will show "Cashless Limit Reached!". (When this option setting is "0", there is no limit.)	
LCM		Descriptions	
<div style="border: 1px solid black; padding: 5px; width: fit-content;"> Credit Limit For Cashless 209 </div>		Press the Manual button. Use A / C to scroll to EZ code 209. Press F to enter.	
<div style="border: 1px solid black; padding: 5px; width: fit-content;"> Cashless Limit \$00.00 </div>		LCM displays current setting. Press B / E to plus/minus number. Press A / C to shift configured digit. When finished, press F to save.	
<div style="border: 1px solid black; padding: 5px; width: fit-content;"> Cashless Limit Saved </div>			
		Manual to exit.	

Code	LCM Display	Function Description	Accessibility
210	Bill(s) per Transaction	Set BA limitation per transaction	Executive only
Default		Definition	
1		<p>The maximum Qty of bills for Bill Acceptor per transaction: When 1) Coin Changer is able to return the bill value and 2) the bill Qty is less than the maximum Qty of bills for Bill Acceptor, the Bill Acceptor will stack the bill into the cash box while the bill has been inserted, otherwise the bill will hold in escrow. Number 1 to 9 can be set. Note! 210 function only available when BA set Changer as host.</p>	
LCM		Descriptions	
<div style="border: 1px solid black; padding: 5px; width: fit-content;"> Bill(s) per Transaction 210 </div>		Press the Manual button. Use A / C to scroll to EZ code 210. Press F to enter.	
<div style="border: 1px solid black; padding: 5px; width: fit-content;"> # of Bill 1 Bill(s) </div> <div style="border: 1px solid black; padding: 5px; width: fit-content; margin-top: 10px;"> Configuration Finished </div>		Use B / E button to change bill limitation number. Note! The page below would appear after each save. If this page does not appear, that means the settings were not saved, and please retry setting. When finished, press F to save.	
		Manual to exit.	

Code	LCM Display	Function Description	Accessibility
211	Exact Change Notice	Set exact change notice on display	Executive only
Default		Definition	
Not Active		<p>When the Coin Changer may not return the coins completely, choose to display exact change notice on VMC or not.</p> <p>Active: Display depends on reserve coin setting (124). When reserve coin sets to ON, the smallest three denominations amounts under 10 coins, display shows "No Change." When reserve coin sets to OFF, the smallest three denominations amounts under 6 coins, display shows "No Change."</p> <p>Not Active: hide "No Change" message</p>	
LCM		Descriptions	
<div style="border: 1px solid black; padding: 5px; width: fit-content;"> Exact Change Notice 211 </div>		<p>Press the Manual button.</p> <p>Use A / C to scroll to EZ code 211.</p> <p>Press F to enter.</p>	
<div style="border: 1px solid black; padding: 5px; width: fit-content;"> Not Active "F" to Change </div>		<p>LCM displays current setting.</p> <p>Press F to change setting. (Active or Not Active)</p> <p>When finished, press Manual button to exit.</p>	
		Manual to exit.	

3.6. DIP Switch Setting



FUNCTION	SW1	SW2	SW3	SW4	SW5	SW6	SW7	SW8
High anti-counterfeiting (1st coin value)	ON							
High acceptance (1st coin value)	OFF							
High anti-counterfeiting (2nd coin value)		ON						
High acceptance (2nd coin value)		OFF						
High anti-counterfeiting (3rd coin value)			ON					
High acceptance (3rd coin value)			OFF					
High anti-counterfeiting (4th coin value)				ON				
High acceptance (4th coin value)				OFF				
Reserved (MDB)					ON			
Reserved (Executive)					OFF			
Reserved						ON		
Reserved						OFF		
Calibration Mode							ON	
Preset to OFF							OFF	
Reserved (Turn off the sleep mode)								ON
Reserved (Turn on the sleep mode)								OFF

Note:

- Acceptance rate setting, SW1 to SW4, is limited to some regions or denominations. Please contact your local dealer for further information.
- For SW7 calibration mode instruction, please insert coin denominations in sequence displayed on LCM, or refer to installation guide for detailed information.
- Only some previous CC6100E model can apply to DIP SW5 function.
- Only some previous CC6100S model can apply to DIP SW8 function.

4. Harness Application

4.1. List of Main Wire Harness :

Interface	Used Voltage	Description	Harness
JPSTD	24V DC	Power & *Data Comm. 55cm	WEL-RCC24-T
JPSTD	24V DC	Power & *Data Comm. 75cm	WEL-RCC50-T
JPSTD	24V DC	Power & *Data Comm. 95cm	WEL-RCC49-T
MDB	20 - 45V DC	Power & *Data Comm. 57cm	WEL-RCC23-T
MDB	20 - 45V DC	Power & *Data Comm. 77cm	WEL-RCC51-T
MDB	20 - 45V DC	Power & *Data Comm. 97cm	WEL-RCC47-T
MDB & MDB Peripheral	24V AC	Power & *Data Comm. 57cm	WEL-RCC53-B
Executive	24V AC	Power & *Data Comm. 57cm	WEL-RCC54-B
-	-	Download Box Cable (Optional)	WEL-RCC42-T

Warning!! Do not plug both MDB and Executive connector to VMC board simultaneously!! It may cause damage of VMC board.

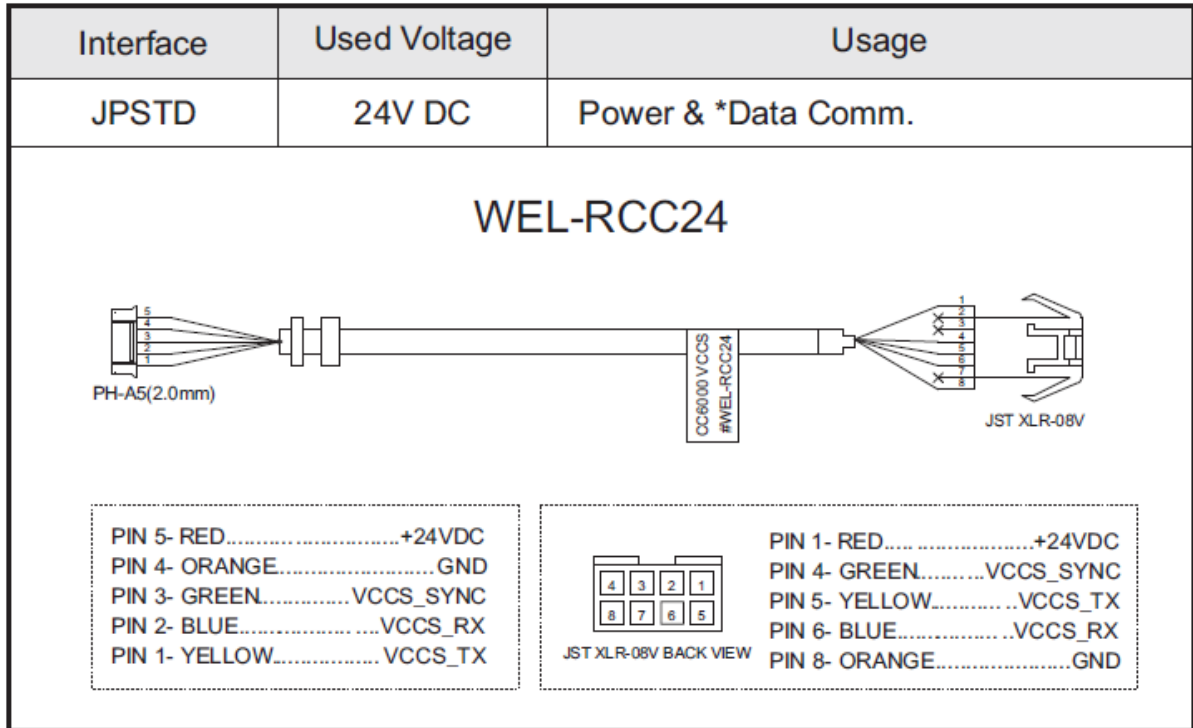
4.2. List of Wire Harness for ICT Bill Acceptor :

Interface	ICT Bill Acceptor	Harness
JPSTD	NV Series	WEL-RCC31-T +WEL-RCC32-T
		WEL-RCC48-T
	MDB Bill Acceptor	WEL-RCC48-T +WEL-RCC46-T
MDB	NV Series	WEL-RCC67-T +WEL-RCC68-T
		WEL-RCC48-T +WEL-RCC46-T
	MDB Bill Acceptor	WEL-RCC67-T

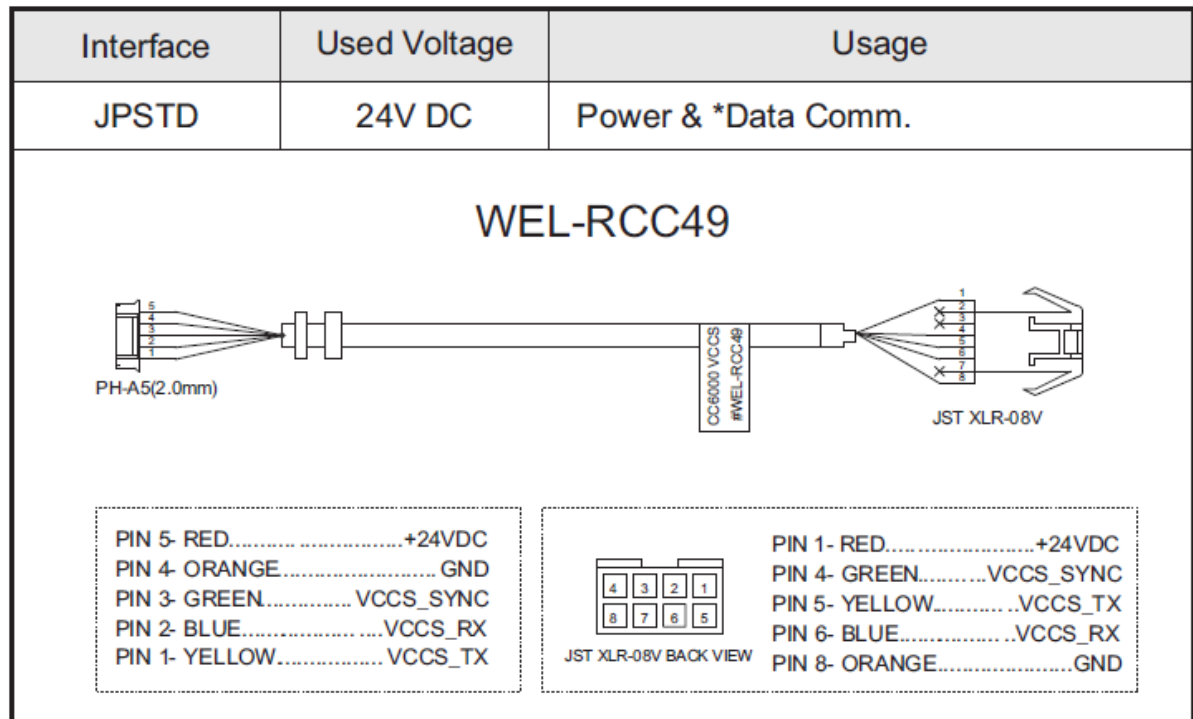
Please refer to Chapter 3-2 < Set the BA Interface > for setting instruction

4.3. Wire Harness Pin Assignment for JPSTD interface

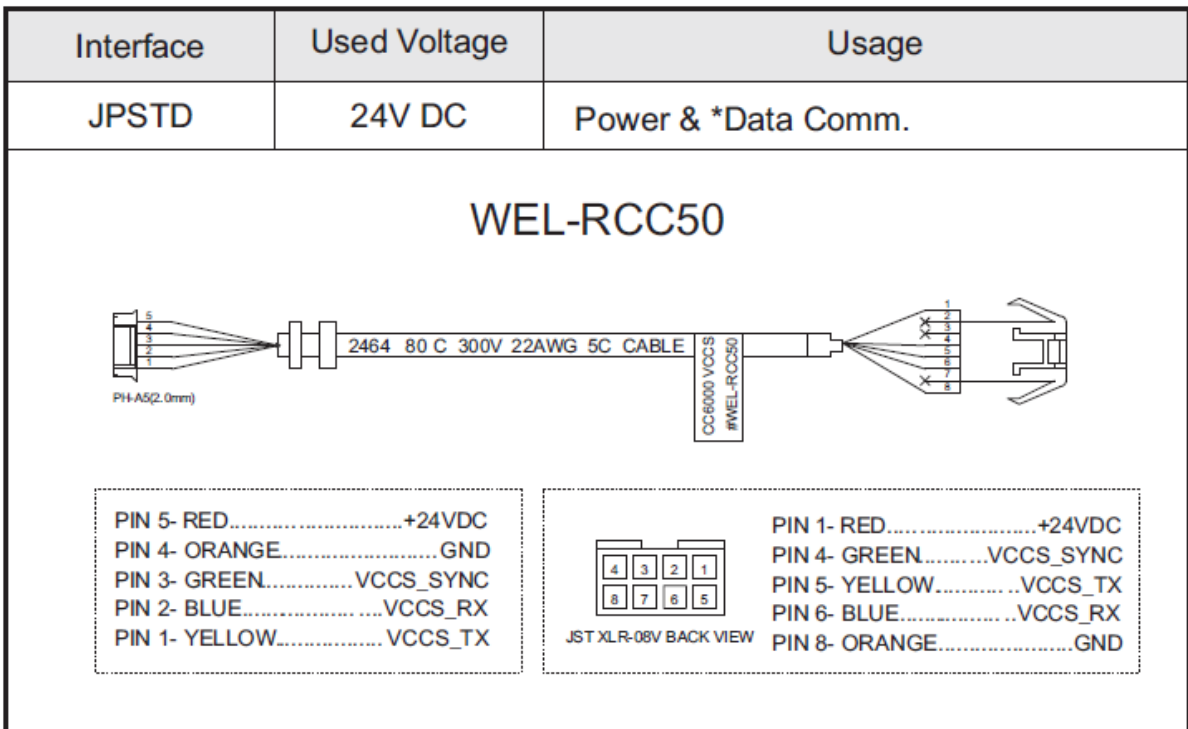
«Main wire harness»



(Figure.12)

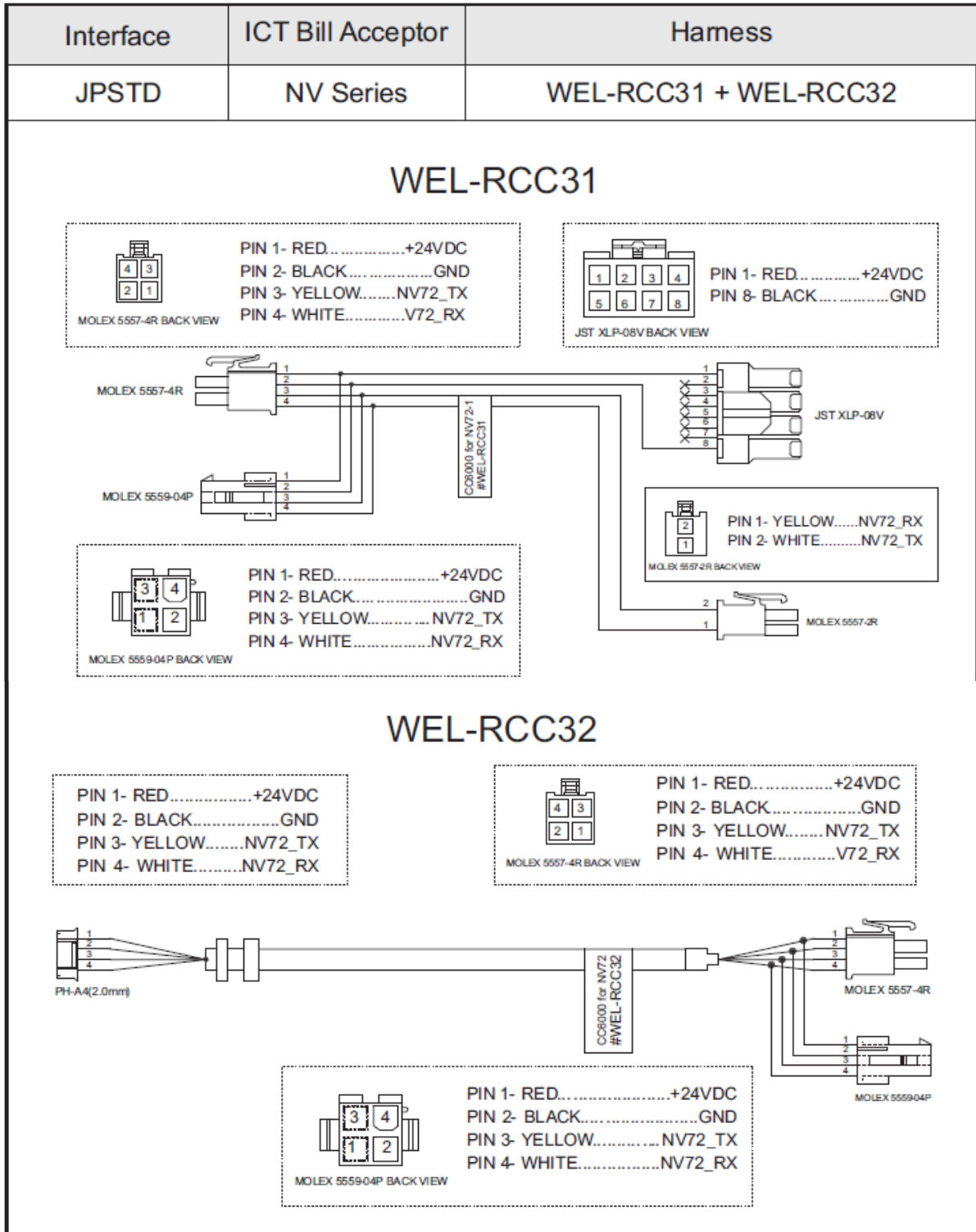


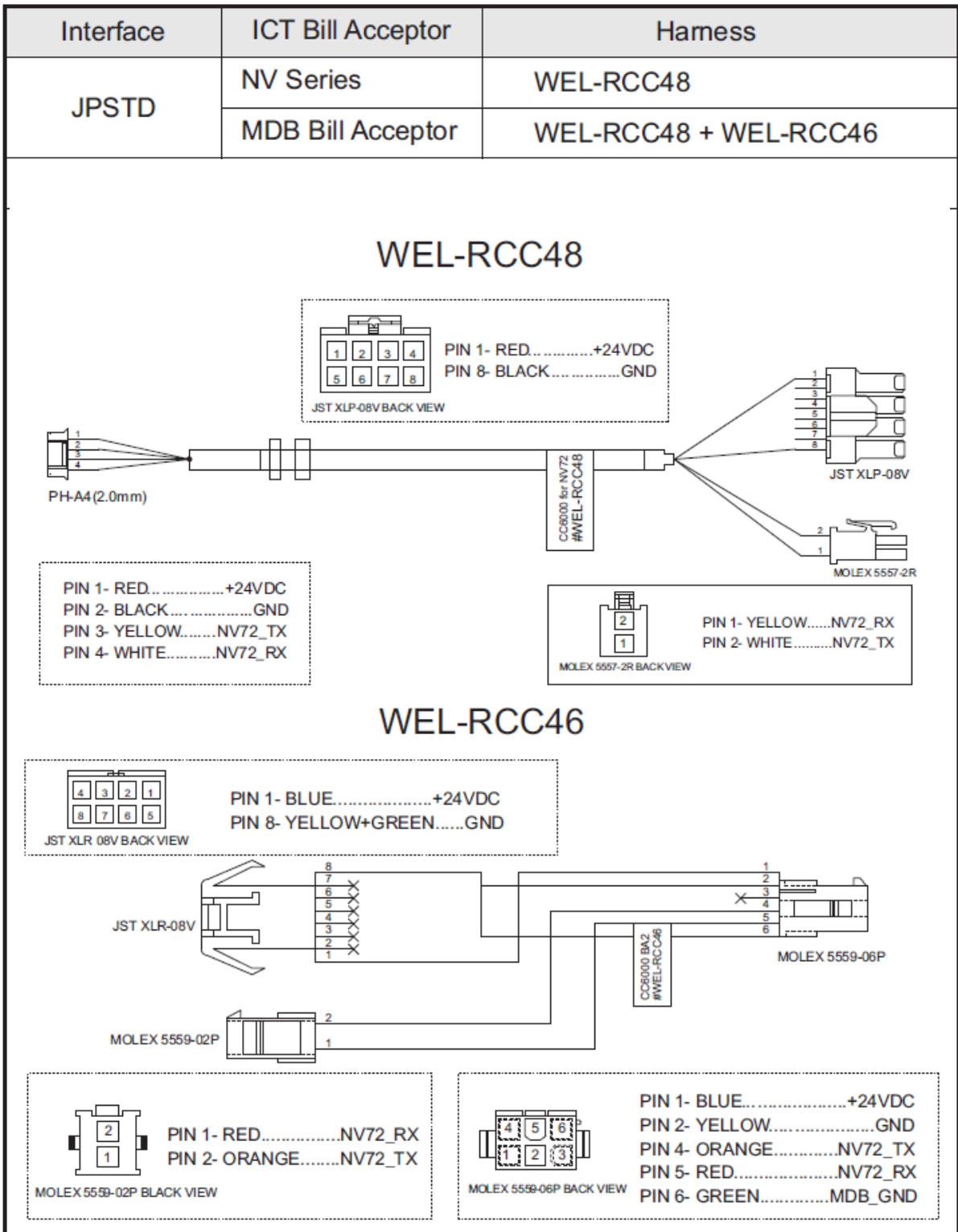
(Figure.13)



(Figure.14)

«JPSTD wire harness for ICT Bill Acceptor»

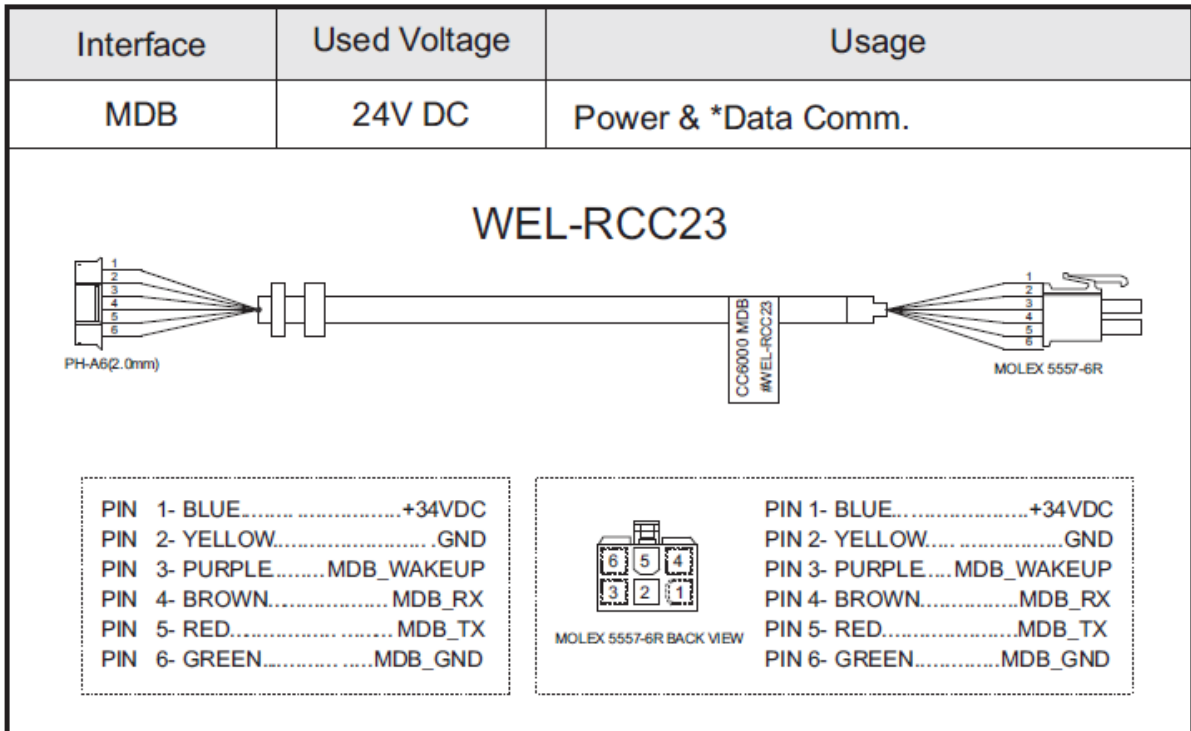




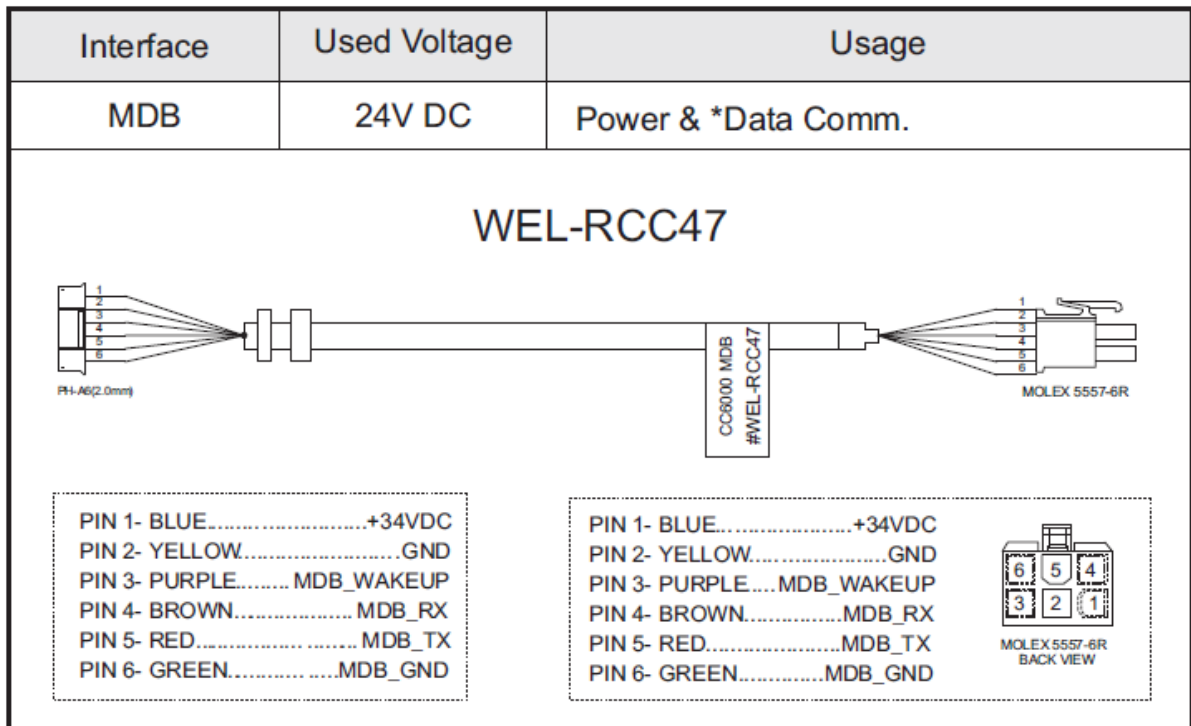
(Figure.21)

4.4. Wire Harness Pin Assignment for MDB interface

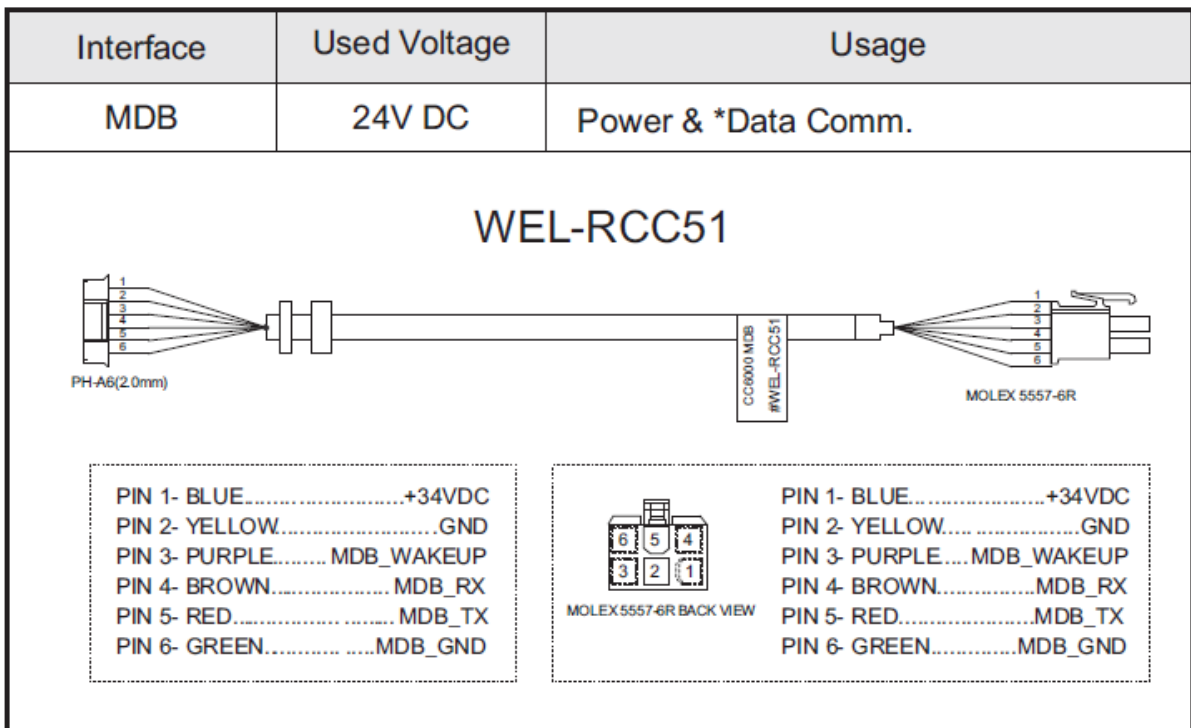
«Main wire harness»



(Figure.15)

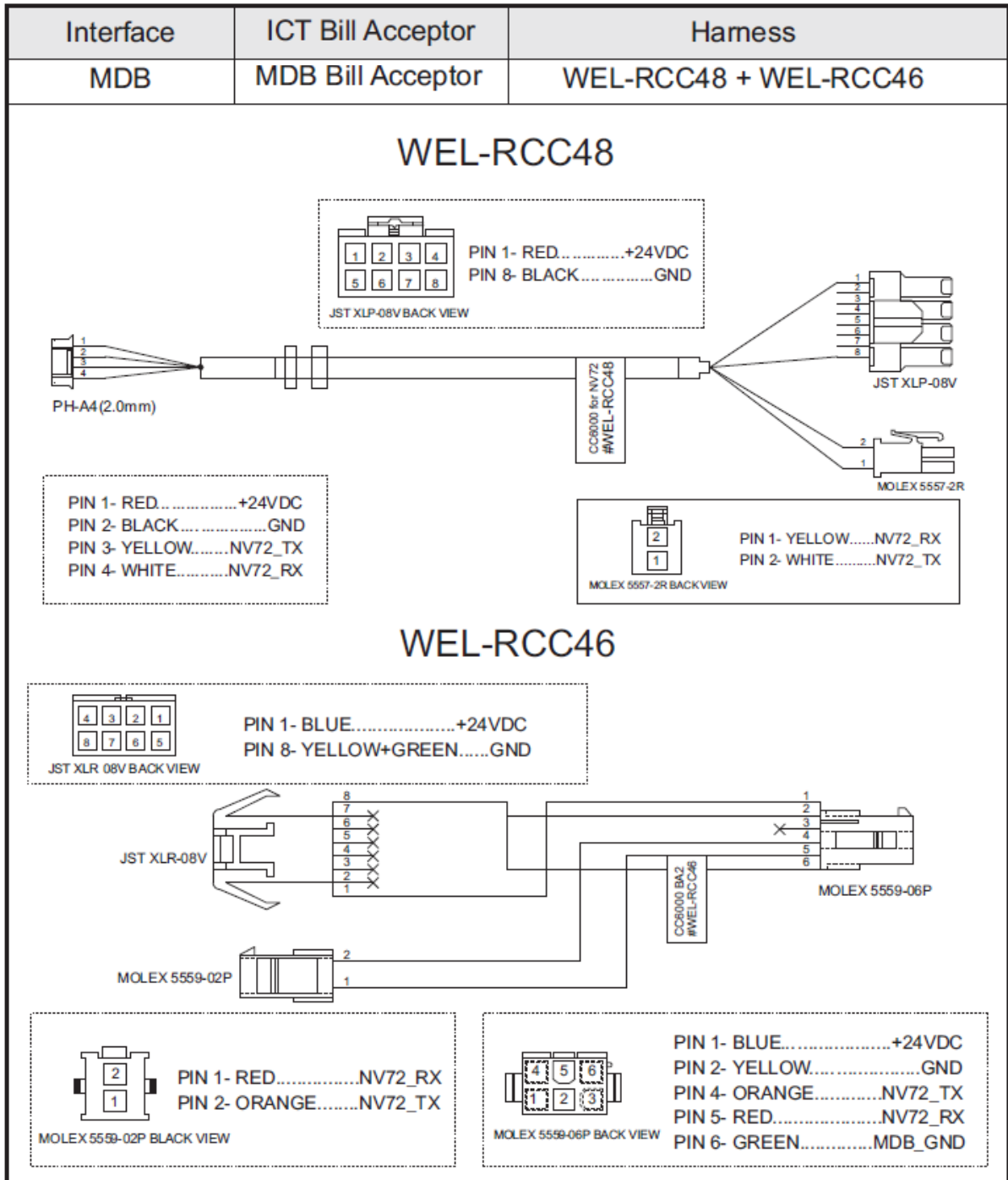


(Figure.16)

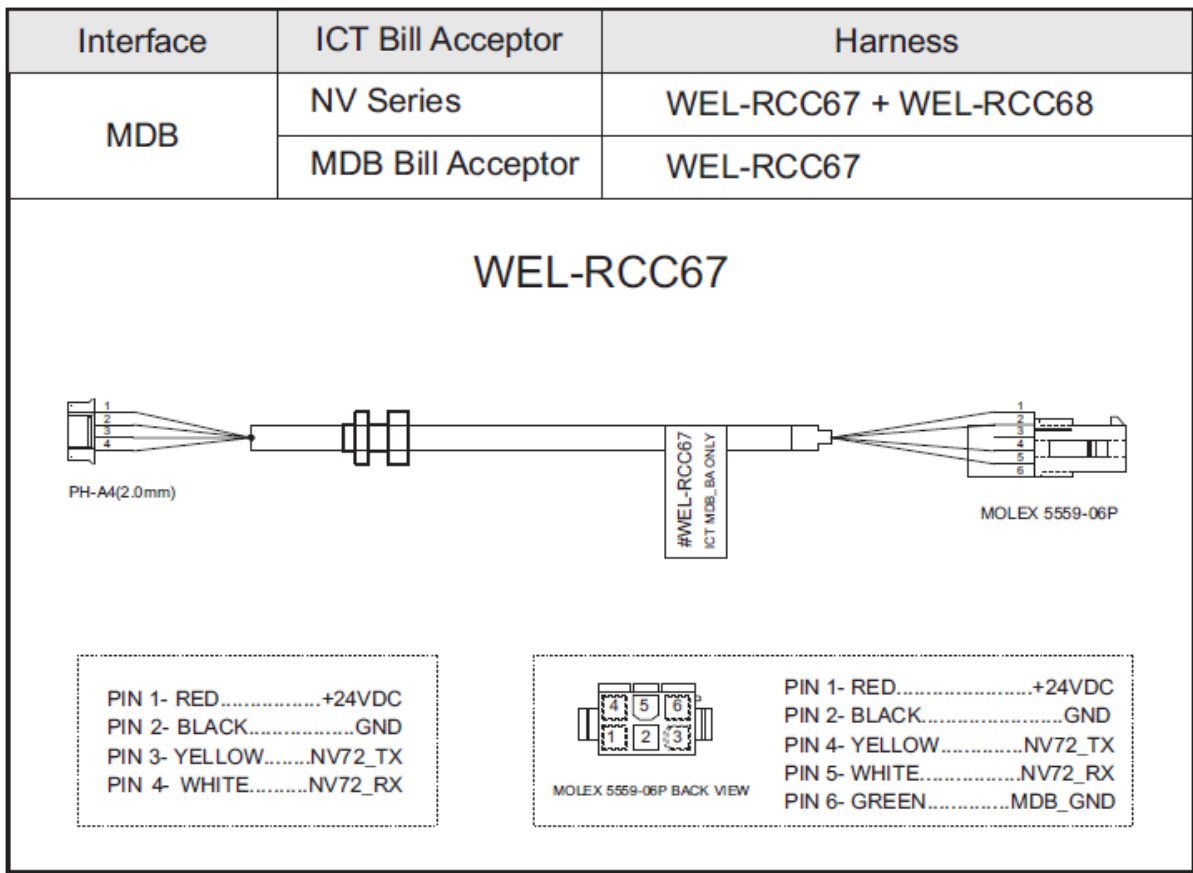


(Figure.17)

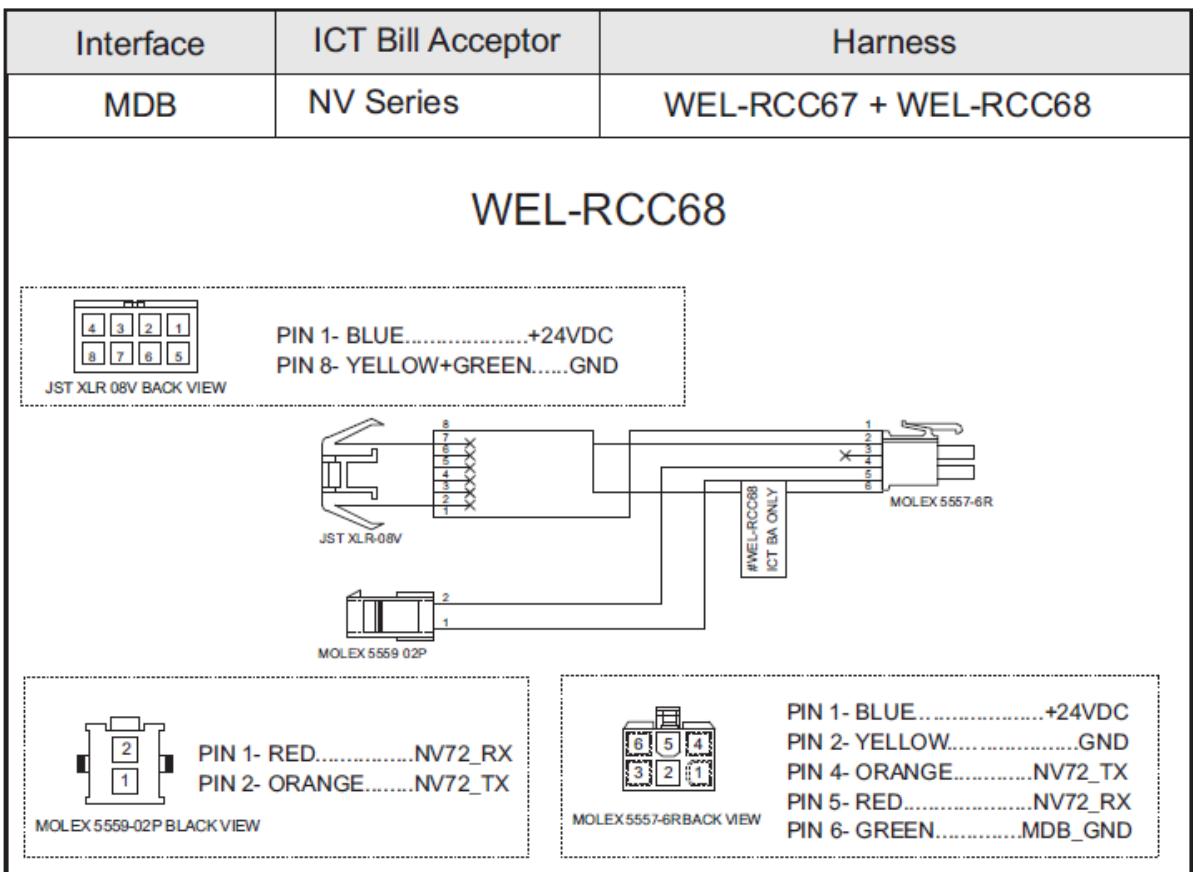
«MDB wire harness for ICT Bill Acceptor»



(Figure.21)



(Figure.23)

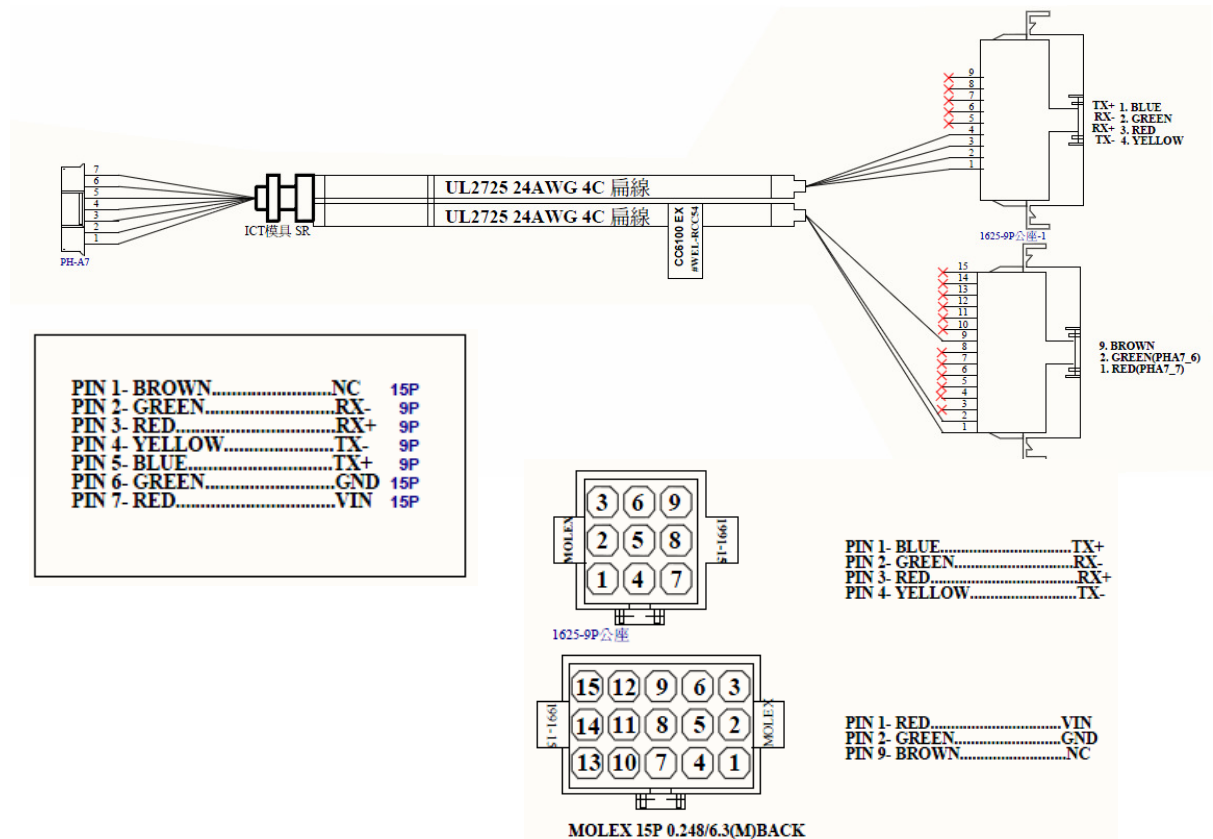


(Figure.24)

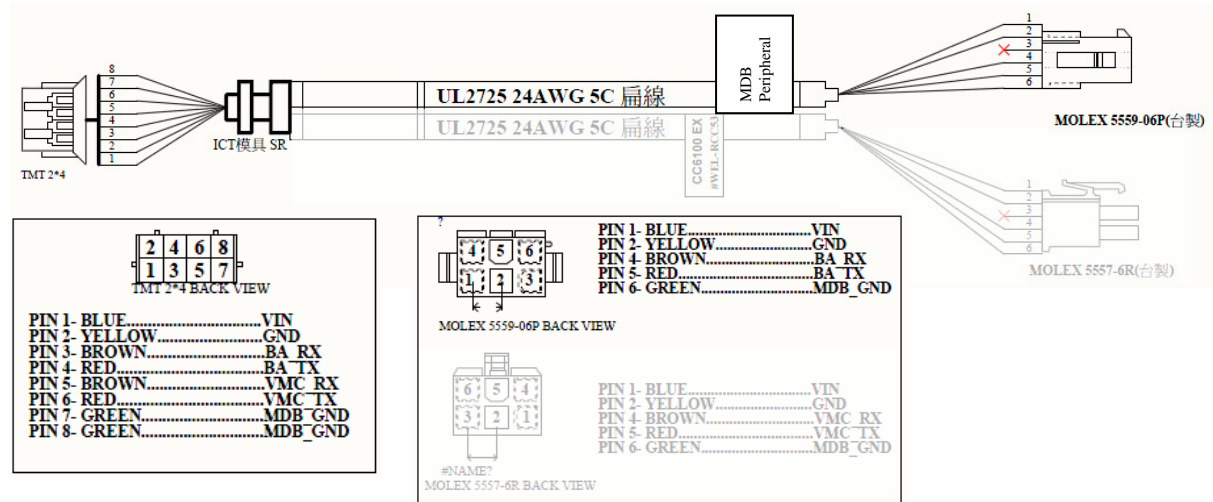
4.5. Wire Harness Pin Assignment for Executive & MDB Interface

Interface	Used Voltage	Harness
Executive	24V AC	WEL-RCC54-B
Interface	Peripheral	Harness
Executive	MDB Peripheral	WEL-RCC53-B (MDB Peripheral)

WEL-RCC54-B

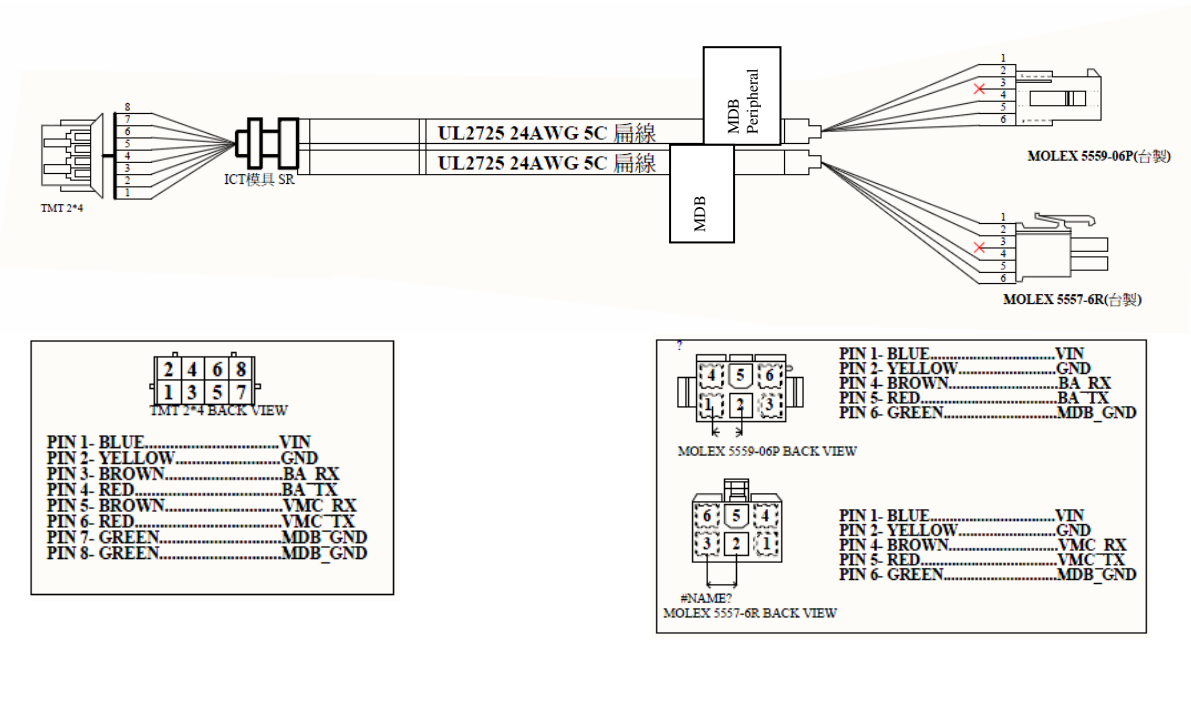


WEL-RCC53-B



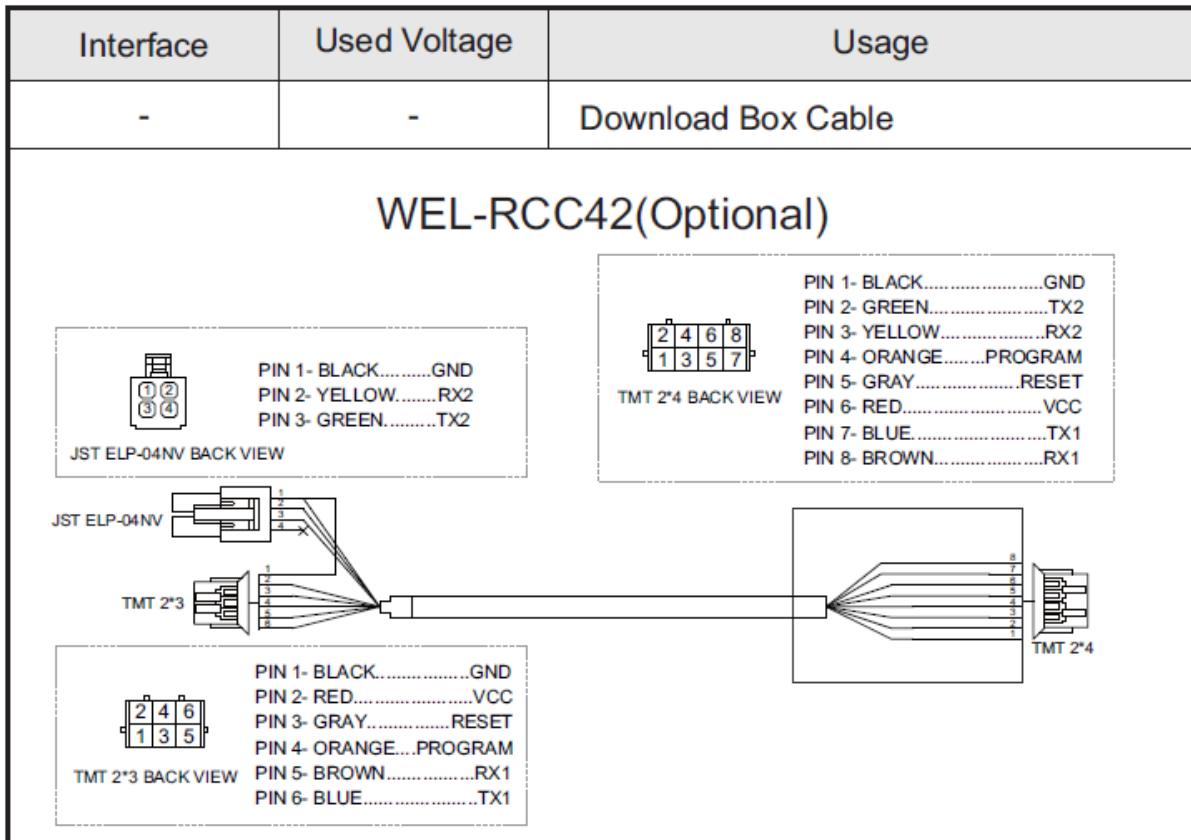
Interface	Used Voltage	Harness
MDB	10 – 45V DC	WEL-RCC53B (MDB)
Interface	Peripheral	Harness
MDB	MDB Peripheral	WEL-RCC53-B (MDB Peripheral)

WEL-RCC53-B



Warning!! Do not plug both MDB and Executive connector to VMC board simultaneously!! It may cause damage of VMC board.

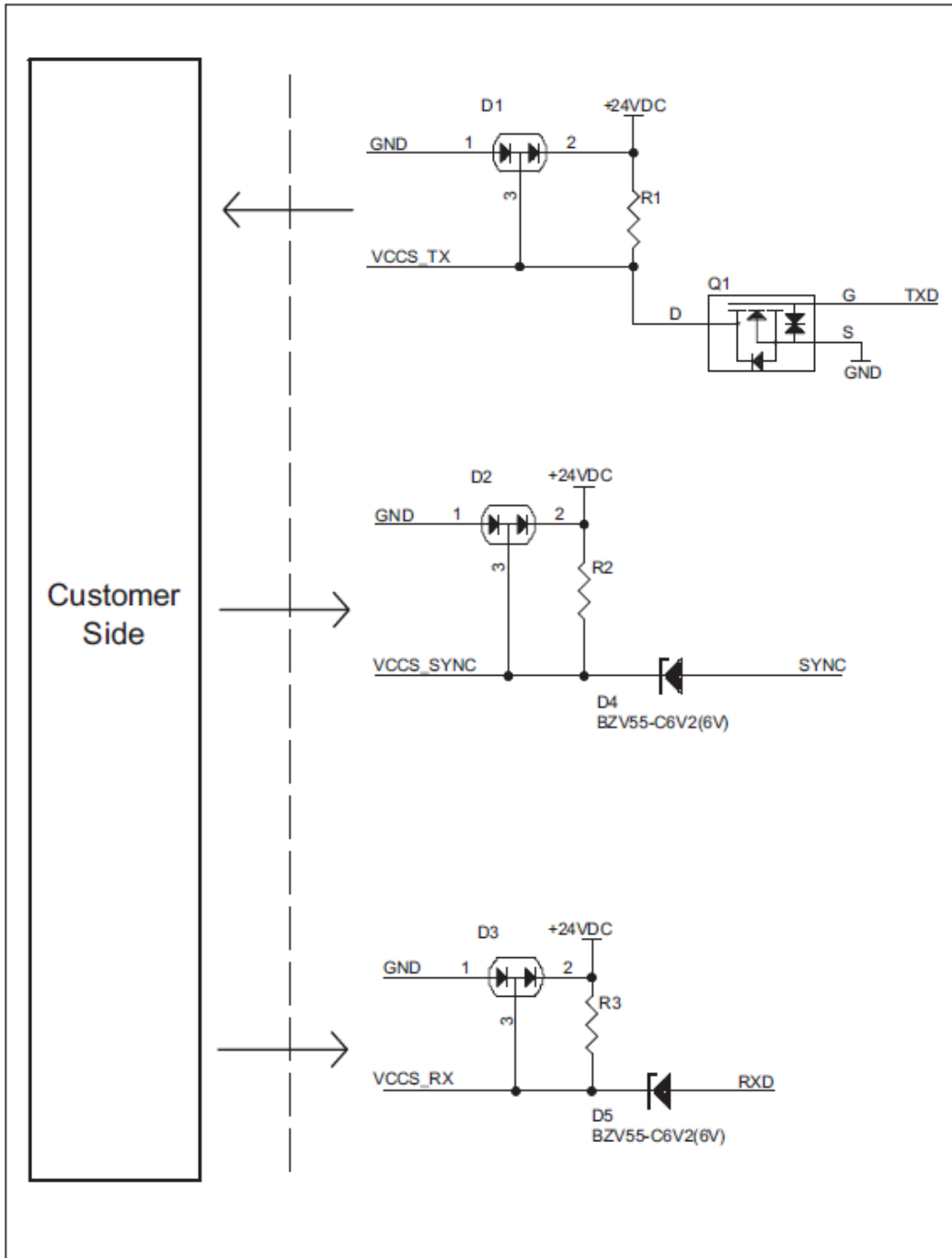
4.6. Wire Harness Pin Assignment for Download Box



(Figure.18)

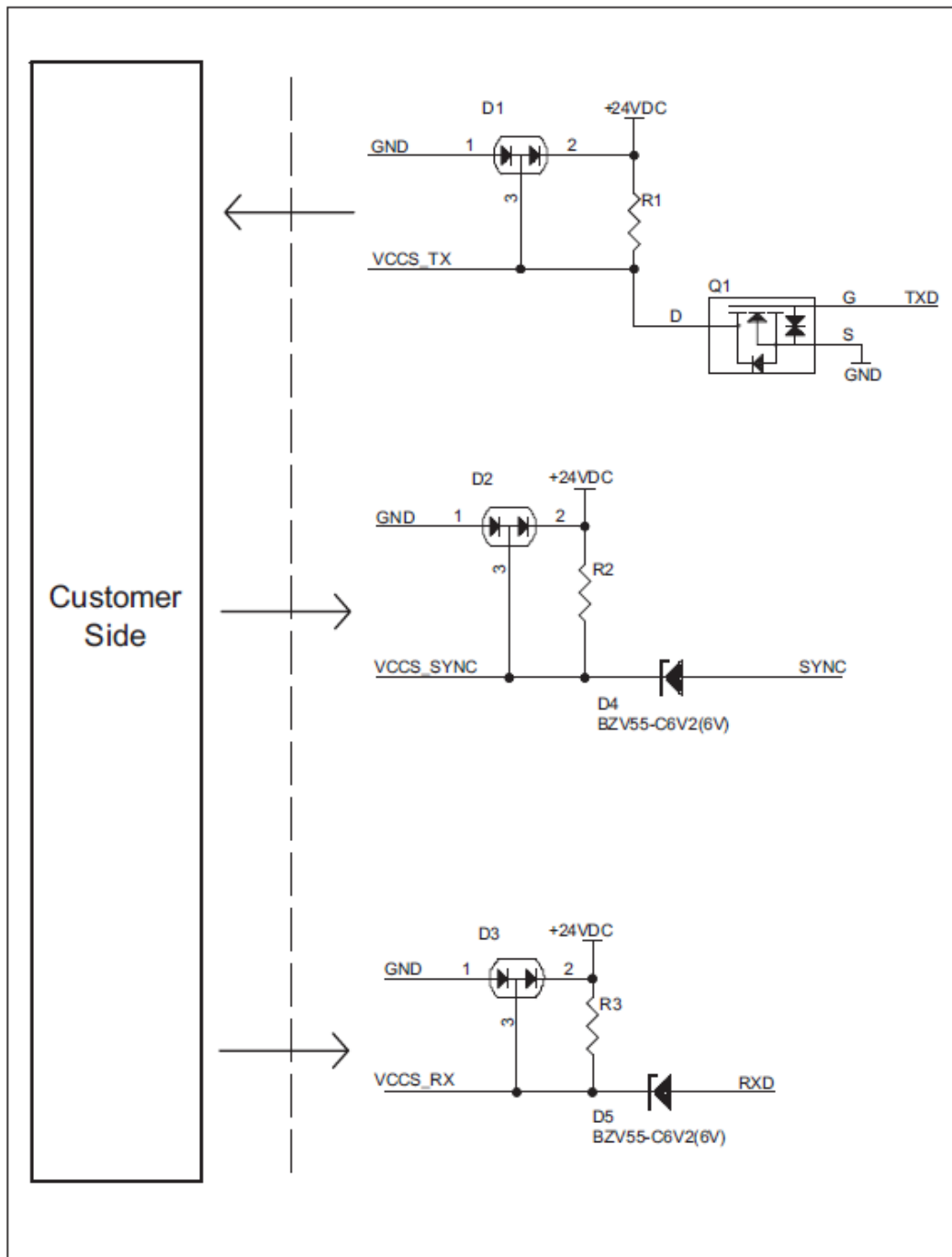
5. I/O Circuit

«JPSTD Interface»



(Figure.25)

«MDB Interface»

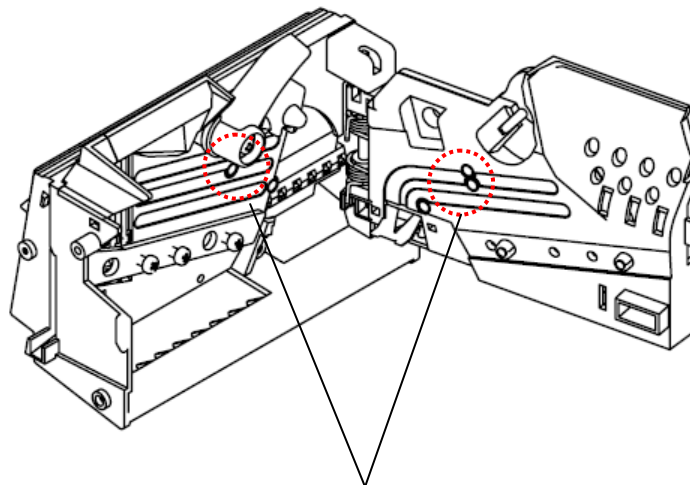


(Figure.25)

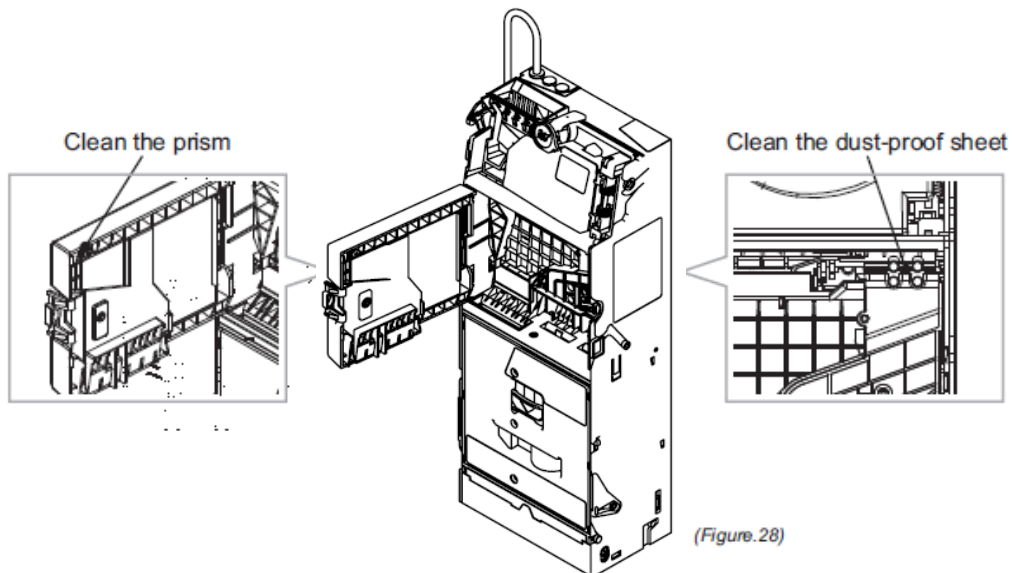
6. Maintenance

To ensure the coin changer operate correctly, following maintenance steps are required. ICT suggests cleaning every six month; however, under heavy usage conditions or locations the maintenance may need to be more frequent.

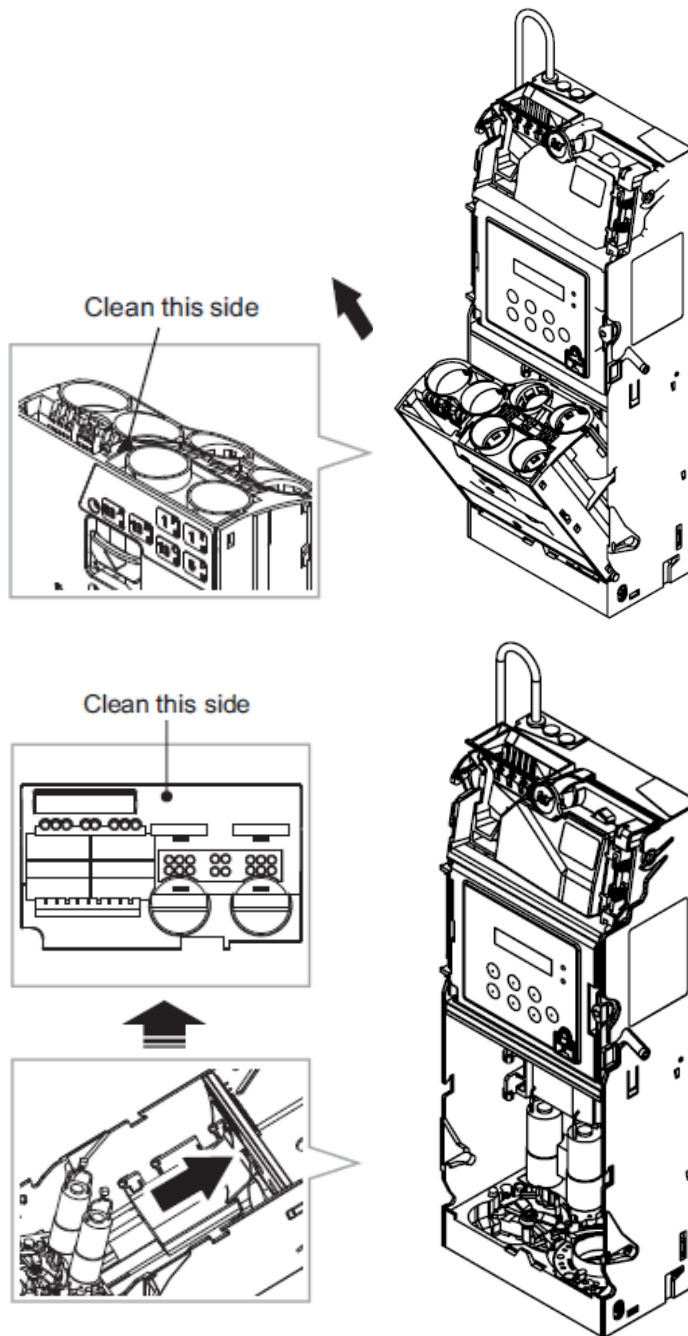
Warning: Before removing the coin changer, please make sure to turn the power off!




Clean the dust-proof sheet



(Figure.28)



Maintenance Notice
(Any improper maintenance will invalidate warranty.)

	Recommended	Mild, non-abrasive, soap water.
	DO NOT USE	Organic solvent , Alcohol, Volatility liquid.

7. Troubleshooting

7.1. Error Code Messages

Code	Cause	LED
E10	LCM Panel Open	5 red + 2 red
E11	Checksum Error	Red Light
E12	Signal from the coin base was not received when the power was turned on.	Red Light
E13	Two seconds after activation, the SYSTEM did not wait for the READY signal from the DEVICE and jumped to the exception.	1 red
	Two seconds after a transaction, the SYSTEM did not wait for the READY signal triggered by the DEVICE.	
E14	Coil 1 is damaged.	3 red + 1 red
E15	Coil 2 is damaged.	3 red + 2 red
E16	Coil 3 is damaged.	3 red + 3 red
E17	Low level LED is damaged.	3 red + 5 red
E18	Coin separator sensor problem.	3 red + 4 red
E19	The deck is open for over 30 seconds.	5 red + 1 red
E20	Both the first and second group motors cannot be positioned.	7 red
E21	The first motor group cannot be positioned. The first motor group might be damaged, coin or foreign objects might have caused the motor to stuck, coins are stuck in the coin tube, or the semicircle disk has derailed.	None
E22	The second motor group cannot be positioned. The second motor group might be damaged, coin or foreign objects might have caused the motor to stuck, coins are stuck in the coin tube, or the semicircle disk has derailed.	None
E23	Broke away or incorrectly positioned coin tubes.	5 red
E24	Coins got stuck at the coin separation area or the coin tube opening twice in a row, causing the HI Level Sensor to fail to detect the coin twice in a row.	6 red + 4 red
E25	A Tube Low Level = empty, HI Level = full at setup.	None
E26	B Tube Low Level = empty, HI Level = full at setup.	None
E27	C Tube Low Level = empty, HI Level = full at setup.	None
E28	D Tube Low Level = empty, HI Level = full at setup.	None
E29	E Tube Low Level = empty, HI Level = full at setup.	None
E30	F Tube Low Level = empty, HI Level = full at setup.	None
E31	Barcode Reader error	None
E32	The three sets of LEDs used to distinguish Coin size have been damaged.	None
None	The „Inhibit“ signal transmitted by the interface.	2 red

7.2. Error Handling

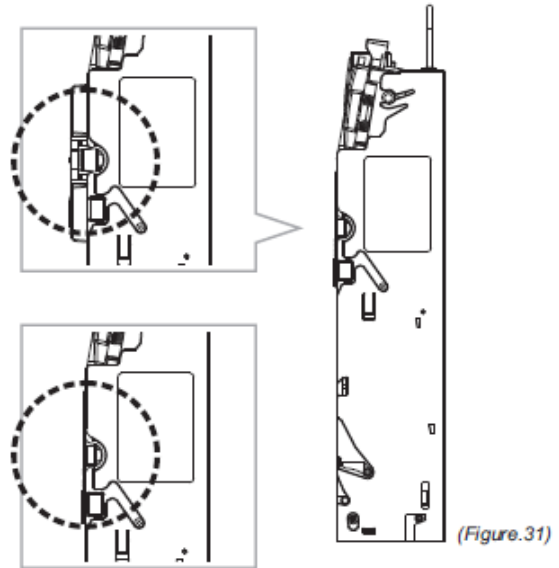
«LCM Panel Open»

Code: E10
LED Light Display: 5 red+ 2 red
LCM Display: As shown in figure

Sorting Module Door Open	E10
-----------------------------	-----

Cause: LCM Panel Open

Corrective Measure: Close the LCM panel and verify that the latch is in place. If the problem cannot be solved, notify ICT personnel for support.



«Checksum Error»

Code: E11
LED Light Display: Red light
LCM Display: As shown in figure below

Check Sum Error	E11
-----------------	-----

Cause: Check Sum Error.
Corrective Measure: Notify the ICT personnel for support.

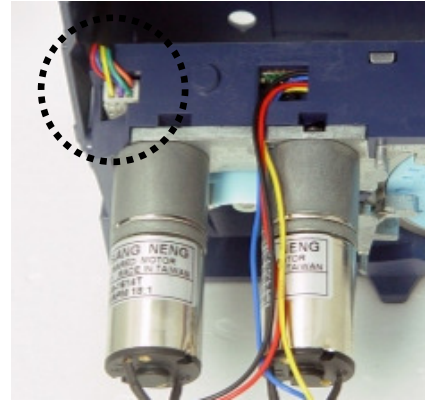
«Payout Mode Error»

Code: E12
LED Light Indicator: Red light
LCM Display: As shown in figure below

Payout Module Error
E12

Cause: Signal from payout module was not received when power was turned on.

Corrective Method: Ensure that the signal wire is connected to the payout module.



«Communication Error»

Code: E13
LED Light Display: 1 red
LCM Display: As shown in figure

No Communication
with VMC E13

Cause:

1. Two seconds after activation, the SYSTEM did not wait for the READY signal from the DEVICE and jumped to the exception mode.
2. Two seconds after a transaction, the SYSTEM did not wait for the READY signal triggered by the DEVICE.

Corrective Measure:

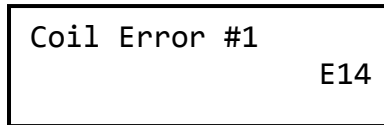
1. Ensure that the machine interface and the VMC interface are consistent.
2. Ensure that the interface transmission wire is properly connected.



(Figure.33)

«#1 Coil Error»

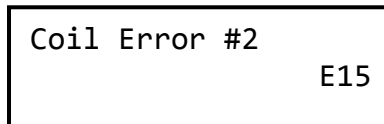
Code: E14
LED Light Display: 3 red+ 1 red
LCM Display: As shown in figure below



Cause: Coil 1 is damaged.
Corrective Measure: Notify the ICT personnel

«#2 Coil Error»

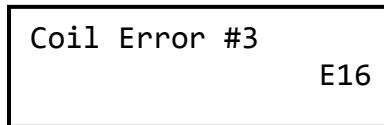
Code: E15
LED Light Display: 3 red + 2 red
LCM Display: As shown in figure below



Cause: Coil 2 is damaged.
Corrective Measure: Notify the ICT personnel

«#3 Coil ERR»

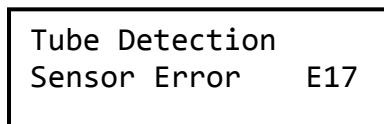
Code: E16
LED Light Display: 3 red +3 red
LCM Display: As shown in figure below



Cause: Coil 3 is damaged.
Corrective Measure: Notify the ICT personnel

«Low Level LED Error»

Code: E17
LED Light Display: 3 red+ 5 red
LCM Display: As shown in figure below



Cause: Low level LED is damaged. Otherwise, optical lens may be covered by dirt or dust.
Corrective Measure: When error is detected, changer retries once a minute for 10 times. It will stop if the problem is not resolved after 10 times retry. Clean the optical lens with soft fabric. If the problem cannot be solved, notify ICT personnel for support.

«Sort Sensor Error»

Code: E18

LED Light Display: 3 red + 4 red

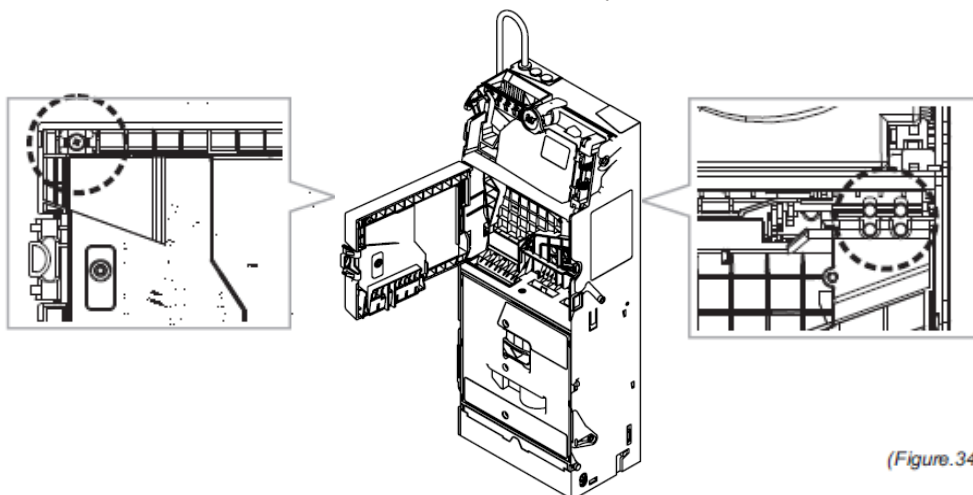
LCM Display: As shown in figure below

Sorting Module Sensor Error E18

Cause: Coin separator sensor problem.

Corrective Measure:

1. Make sure that the reflective prism is not dirty or blocked by foreign objects. If it is, remove the foreign object and clean the reflective prism.
2. Changer retries once a minute for 10 times when error is detected. It will stop if the problem is not resolved after 10 times retry.



(Figure.34)

«Deck Open Problem»

Code: E19

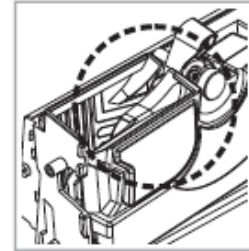
LED Light Display: 5 red +1 red

LCM Display: As shown in figure below

Flight Deck Error E19

Cause:

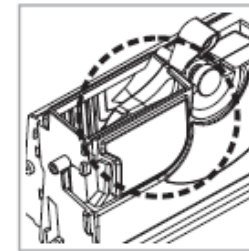
1. The deck is open for over 30 seconds.
2. The reject bar has problem.



(Figure.35)

Corrective Measure:

1. Close the deck and reactive the power.
2. Retry once a minute for 10 times, if the problem is not resolved then remove the LCM panel to leave this exception and notify ICT personnel for support.



(Figure.36)

«Motor Error : A&B»

Code: E20

LED Light Display: 7 red

LCM Display: As shown in figure below

Coin Jam E20

Cause: Both the first and second group motors cannot be positioned.

Corrective Measure: Please see reference instructions for “E21” and “E22” below.

«Motor Error : A»

Code: E21

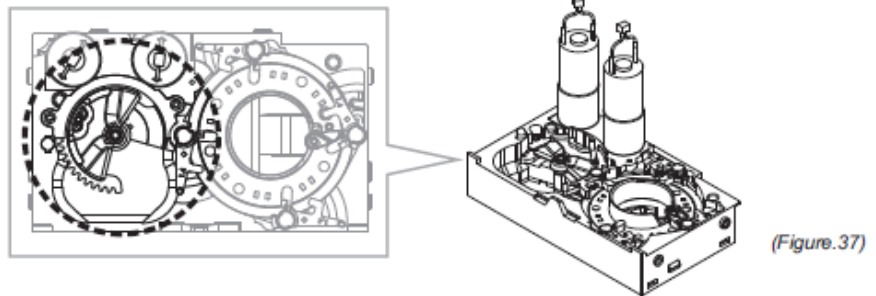
LED Light Display: None

LCM Display: As shown in figure below

Left Coin Jam

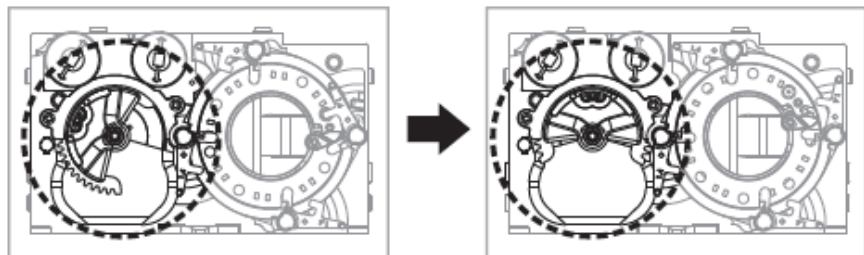
E21

Cause: The first motor group cannot be positioned. The first motor group might be damaged, coin or foreign objects might have caused the motor to stuck, coins are stuck in the coin tube, or the semicircle disk has derailed.

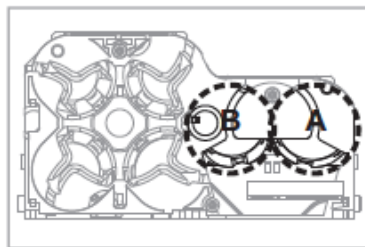


Corrective Measure: 1. Confirm whether a foreign object has caused the semicircle disk to get stuck. If yes, remove the object and turn on the power again. Use buttons **A** and **B** of the LCM to test and determine whether the semicircle disk can be returned to its normal position. If it does, then the machine has returned to its normal operation.

2. Verify whether the semicircle disk has derailed. If yes, turn off the power and remove the washer, then reinstall the disk back onto the track and reactive the machine. Use buttons **A** and **B** of the LCM to test and determine whether the semicircle disk can be returned to its normal position. If it does, then the machine has returned to normal operation.



3. Turn on the power again and use buttons **A** and **B** of the LCM to test and determine whether the semicircle disk can be returned to its normal position. If it does, then the machine has returned to normal operation. If nothing happens, then the first motor group has been damaged. Please notify the ICT personnel to handle the problem.
4. Verify whether the openings of the A and B tube has been stuck by a coin. If a tube has been stuck, remove the stuck coin, reassemble the coin tube, and turn on the power again. Use buttons **A** and **B** of the LCM to test whether tubes A and B can discharge coins correctly. If it does, then the machine has returned to normal operation.



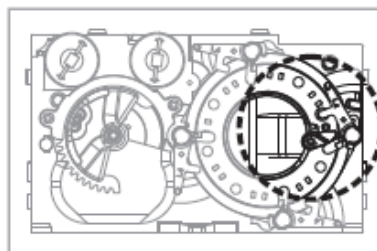
(Figure.39)

«Motor Error : B»

Code: E22
 LED Light Display: None
 LCM Display: As shown in figure

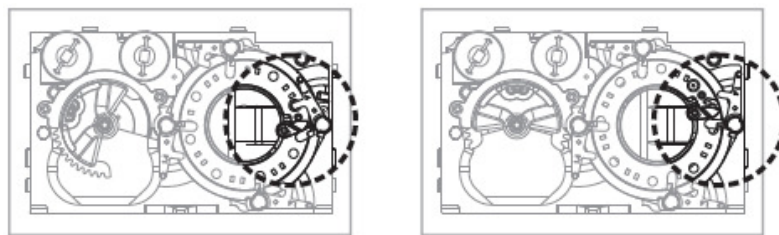
Right Coin Jam
 E22

Cause: The second motor group cannot be positioned. The second motor group might be damaged, coin or foreign objects might have caused the motor to stuck, coins are stuck in the coin tube, or the semicircle disk has derailed.



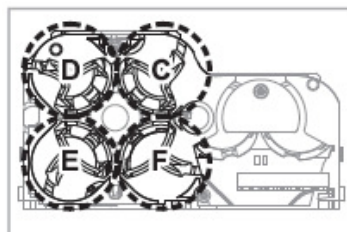
(Figure.40)

- Corrective Measure: 1. Confirm whether a foreign object has caused an obstruction. If yes, remove the object and turn on the power again and determine if the coin rod can return back to its position. Use buttons **C**, **D**, **E**, and **F** of the LCM to test and determine whether the coin rod can hit the coin correctly. If it does, then the machine has returned to normal operation.
2. Turn on the power again to observe whether the disk has repositioned itself. If it does not, then the second motor group is damaged. Please notify the ICT personnel for support.
3. Confirm whether the coin rod is stuck. If it is then manually move the rod back to its position. Turn on the power again and use buttons **C**, **D**, **E**, and **F** of the LCM to test whether the coin rod can hit the coin correctly. If it does, then the machine has returned to normal operation.



(Figure.41)

4. Confirm whether C, D, E, and F tube outlets are stuck by coins. If yes, remove the coins and reinstall the tube cassette. Turn on the power again and use buttons **C**, **D**, **E**, and **F** of the LCM to test whether coins can be discharged correctly. If it does, then the machine has returned to normal operation.



(Figure.42)

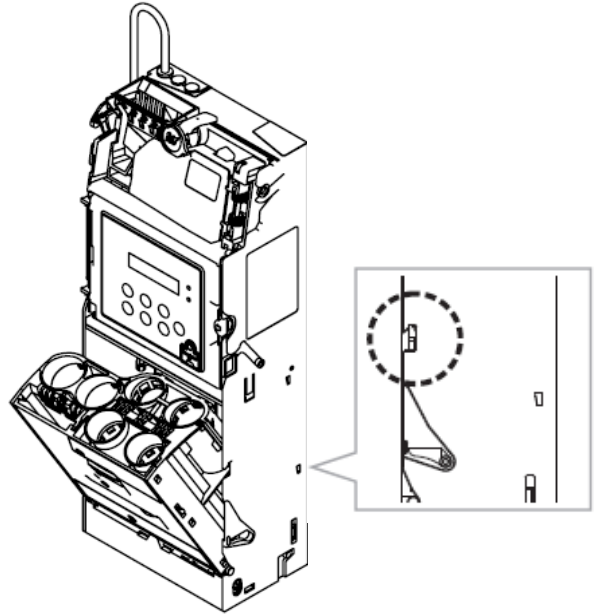
«Cassette Out»

Code: E23
LED Light Display: 5 red
LCM Display: As shown in figure

Inhibit
Cassette Out E23

Cause: Parts malfunction or coin tubes have been incorrectly positioned.

Corrective Measure: Ensure that the coin tubes are correctly positioned



«Tube H/L Sensor Error»

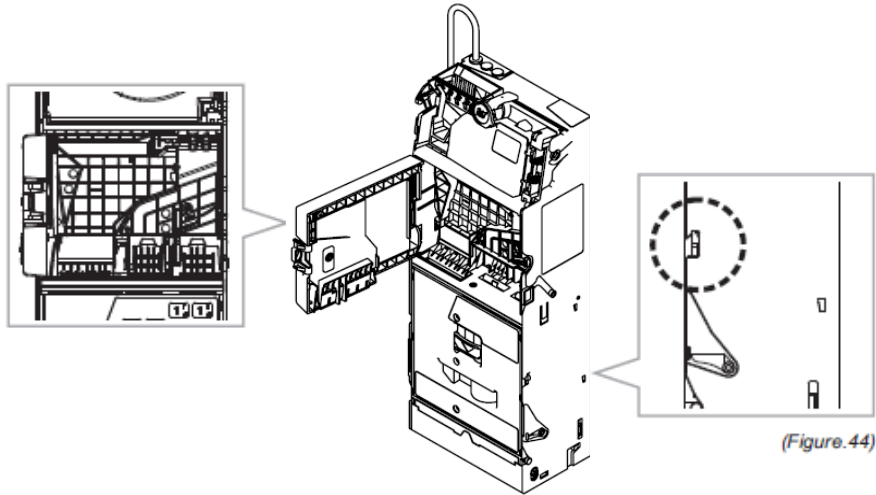
Code: E24

LED Light Display: 6 red+ 4 red

LCM Display: As shown in figure

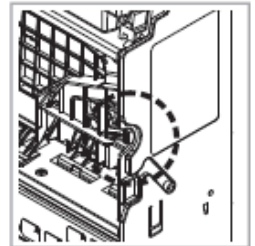
Coin->Tube Sensor Error	E24
----------------------------	-----

Cause: Coins got stuck at the coin separation area or the coin tube opening twice in a row, causing the HI Level Sensor to fail to detect the coin twice in a row.

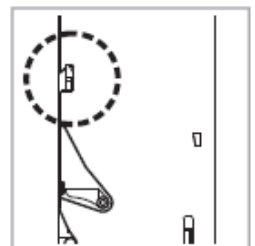


Corrective Measure:

1. Open the LCM panel to verify whether coins are stuck in the coin separation area. If yes, then push aside the transparent latch for the coin guiding board, remove the coin guiding board, remove the stuck coins, and then reinstall the coin guiding board. Turn on the power again. Insert each denomination to ensure that it enters the corresponding coin tube. If yes, then the problem has been resolved.



2. Ensure that the coin tubes have been positioned correctly. Restart the power. Insert each denomination to ensure that it enters the corresponding coin tube. If yes, then the problem has been resolved.



«Tube H/L Sensor Error : A»

Code: E25
LED Light Display: None
LCM Display: As shown in figure below

Tube A Sensor Error	E25
------------------------	-----

Cause: Low Level = empty, Hi Level = full. Coin might be sorted to wrong tube.
Corrective Measure: Changer retries every 2 seconds during the standby mode.
Remove the stuck coin then restart changer to solve the problem.

«Tube H/L Sensor Error : B»

Code: E26
LED Light Display: None
LCM Display: As shown in figure below

Tube B Sensor Error	E26
------------------------	-----

Cause: Low Level = empty, Hi Level = full. Coin might be sorted to wrong tube.
Corrective Measure: Changer retries every 2 seconds during the standby mode.
Remove the stuck coin then restart changer to solve the problem.

«Tube H/L Sensor Error : C»

Code: E27
LED Light Display: None
LCM Display: As shown in figure below

Tube C Sensor Error	E27
------------------------	-----

Cause: Low Level = empty, Hi Level = full. Coin might be sorted to wrong tube.
Corrective Measure: Changer retries every 2 seconds during the standby mode.
Remove the stuck coin then restart changer to solve the problem.

«Tube H/L Sensor Error : D»

Code: E28
LED Light Display: None
LCM Display: As shown in figure below

Tube D Sensor Error	E28
------------------------	-----

Cause: Low Level = empty, Hi Level = full. Coin might be sorted to wrong tube.
Corrective Measure: Changer retries every 2 seconds during the standby mode.
Remove the stuck coin then restart changer to solve the problem.

«Tube H/L Sensor Error : E»

Code: E29
LED Light Display: None
LCM Display: As shown in figure below

Tube E Sensor Error	E29
------------------------	-----

Cause: Low Level = empty, Hi Level = full. Coin might be sorted to wrong tube.
Corrective Measure: Changer retries every 2 seconds during the standby mode.
Remove the stuck coin then restart changer to solve the problem.

«Tube H/L Sensor Error : F»

Code: E30
LED Light Display: None
LCM Display: As shown in figure below

Tube F Sensor Error	E30
------------------------	-----

Cause: Low Level = empty, Hi Level = full. Coin might be sorted to wrong tube.
Corrective Measure: Changer retries every 2 seconds during the standby mode.
Remove the stuck coin then restart changer to solve the problem.

«Barcode Reader Error»

Code: E31

LED Light Display: None

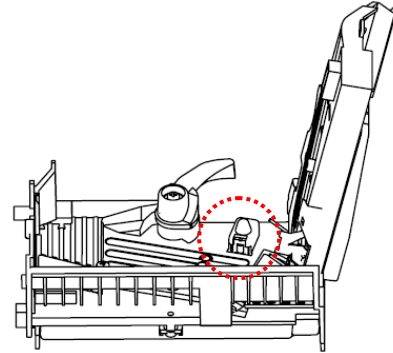
LCM Display: As shown in figure below. The machine will continue to work.

BarCode Sensor Error	E31
-------------------------	-----

Cause: Barcode Reader error.

Corrective Measure: Ensure that the Barcode Reader is not dirty or blocked by foreign objects. If yes, then clean the Barcode Reader or remove the obstruction.

Caution: The machine would continue to work despite the Barcode Reader error.



«Coin Size LED Error»

Code: E32

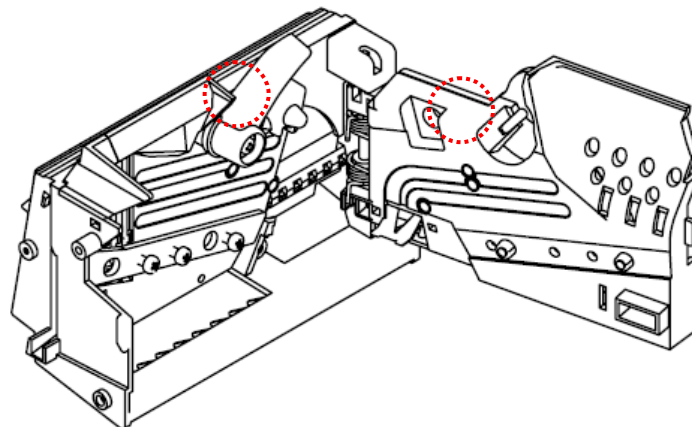
LED Light Display: None

LCM Display: As shown in figure. The machine will continue to work.

Diameter Sensor Error	E32
--------------------------	-----

Cause: The three sets of LEDs used to distinguish Coin size have been damaged.

Corrective Measure: Open the deck. Ensure that the Sensor and LED are not dirty or blocked by foreign objects. If they are, then clean the Sensor and LED or remove the obstruction. If the problem cannot be solved, notify ICT personnel for support.

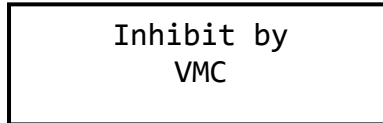


«Inhibit By VMC»

Code: None

LED Light Display: 2 red

LCM Display: As shown in figure below



Inhibit by
VMC

Cause: The "Inhibit" signal transmitted by the interface.

Corrective Measure: None.

8. Firmware Download and Upgrade Instruction

Statement: This document is established and written purely for the convenience of the customers. The document does not clearly specify the legal responsibilities assumed by the International Currency Technologies (ICT) Corp. The ICT Corp.

reserves all rights to the original records of legal writings and intellectual properties, including subsequent modifications of the figures and updates of the texts.

This Document is only Applicable to the Corresponding Coin Changer Products

This document provides detailed downloading and burning steps as follows:

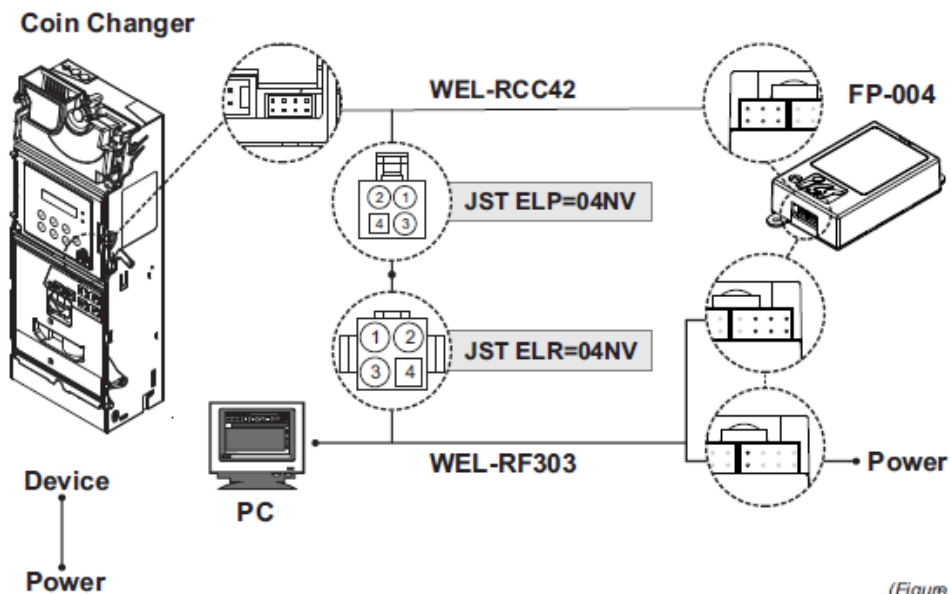
8.1. MCU STM32 Firmware Download by FP-004

8.1.1. Tools

Please prepare download box and related wire accessories ready

1. Tool Kit Box: FP-004 x 1pc
2. Cable-wires:
 - #WEL-RF303 x 1pc
 - #WEL-RCC42 x 1pc

8.1.2. Connection



(Figure.49)

8.1.3. Start Download Process:

1. Please ensure that the RS232 connection from PC to FP-004 works properly; if not, check whether RS-232 program and driver has been activated.
2. Click and execute FP4DT.exe



Figure.64

3. Select Coin Changer, STM8, type of FP004 download box, RS232 COM port, and specify the path for file download (only accept files with .s19 extensions).



Figure.65

4. Select "Download"
5. Download provides two options, direct download to the Coin Changer, or download and burn to the FP-004 control box.

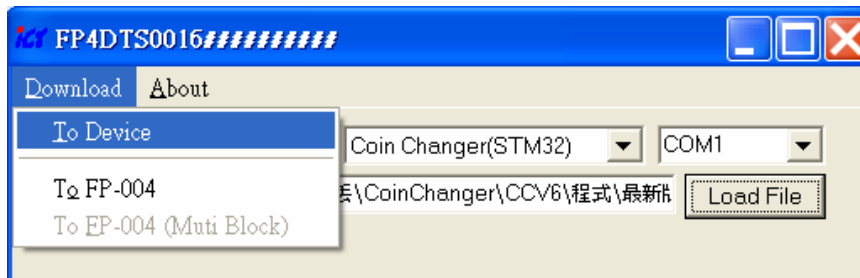


Figure.66

6. Select the download option then the process would execute automatically
 (The left-bottom corner of the screen shows the communication status)

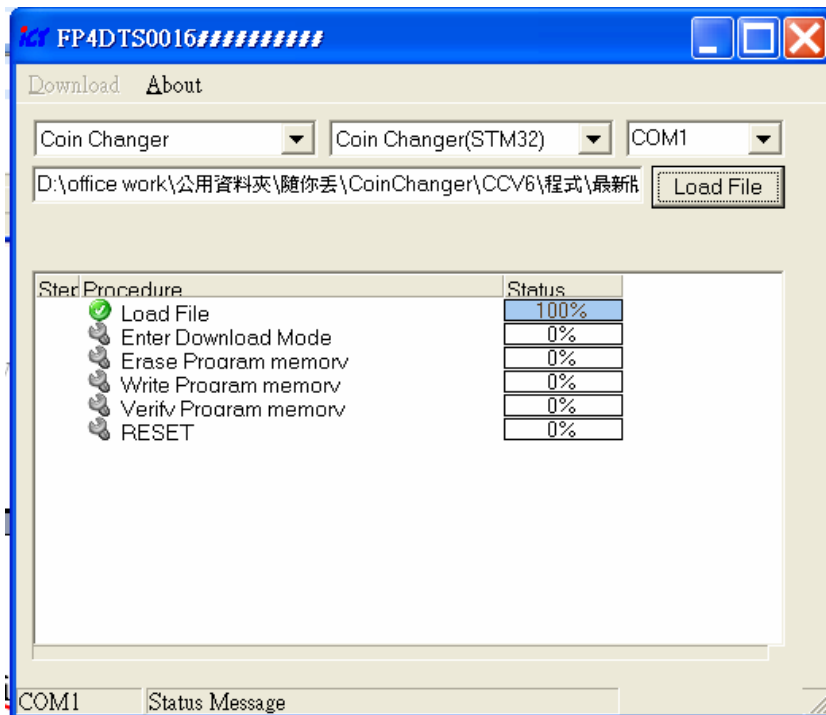


Figure.68

7. Download Completed, all procedures reach 100%.

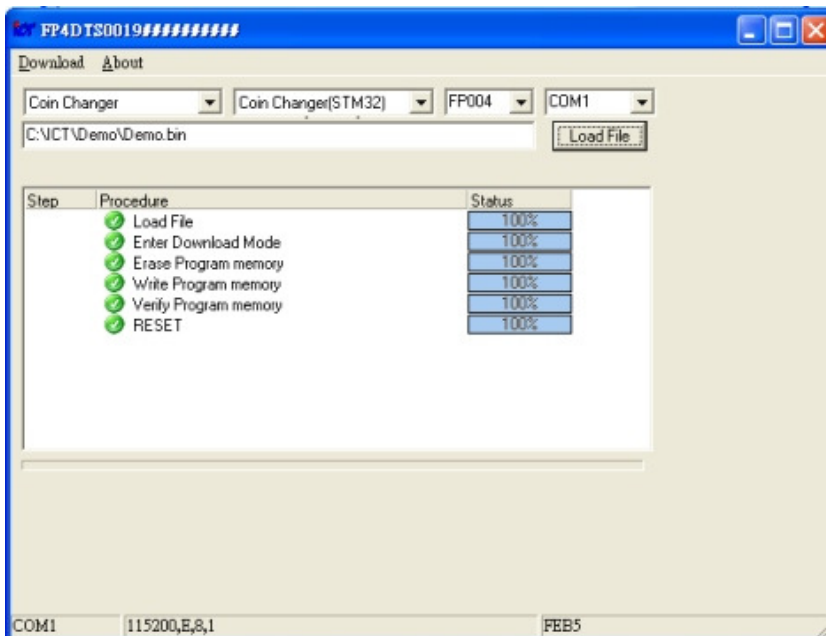


Figure.69

8.2. MCU STM32 Firmware Download by IrDA Special Function

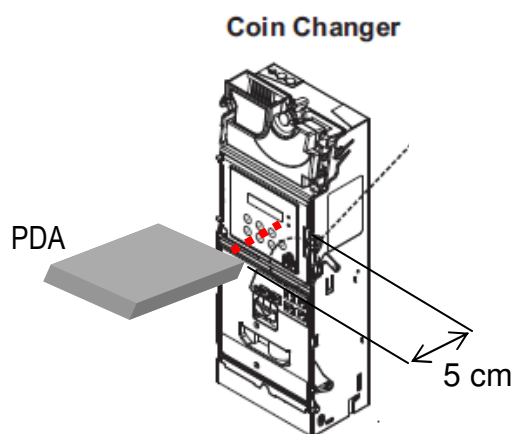
8.2.1. Tools

Please prepare related accessories ready

1. PDA supports IrDA download

8.2.2. Connection

Please keep distance between changer and PDA within 5 cm, angle deviation less than 5 degree.



8.2.3. Start Download Process:

1. Turn on power and prepare changer in standby status.
2. Start download procedure of PDA to update firmware.

9. PC Tool Instruction

To setup Changer through PC Tool, please prepare tools and connection as following chapter instruction:

Chapter 8-1-1. Tools

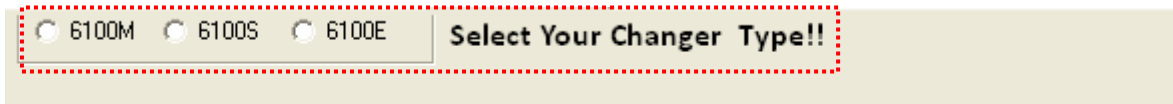
Chapter 8-1-2. Connection

This document provides detailed PC setup steps as follows:

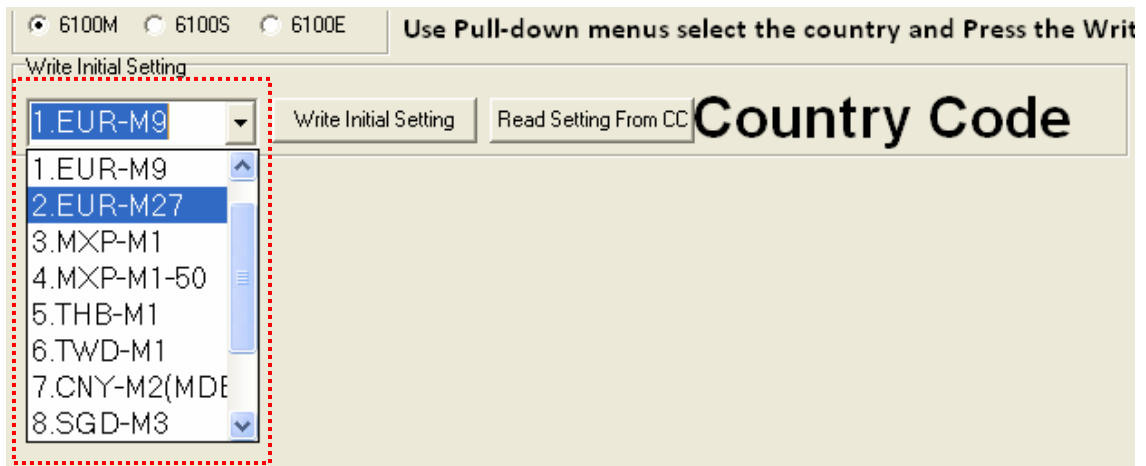
9.1. Cashfloat Setting

9.1.1. Set Changer to Initial Setting

1. Open PC Tool. Select "Cashfloat Setting" function item.
2. Select changer Type.



3. Select tube setting from the list then PC tool will display the setting.



4. Click "Write Initial Setting" button to start download process.
5. To confirm whether the changer has been correctly setup, click "Read Setting From CC" to load changer setting and display on PC tool for confirmation.



9.1.2. Set Changer to Customization Setting

1. Open PC Tool. Select “Cashfloat Setting” function item.
 2. Select Changer Type.
 3. Select tube setting from the list then PC tool will display the setting.
 4. Modify the settings to customization configuration.
- The setting items may vary depends on different region.

6100M 6100S 6100E **You can use the following Option to modify your changer !!**

Write Initial Setting: 2.EUR-M27 Read Setting From CC: **EUR-M27** CC Type: 6100M/6100S

Write Data

Option Setting

Tube Accept/Reject Coin

TubeA	TubeB	TubeC	TubeD	TubeE	TubeF
Accept	Accept	Accept	Accept	Accept	Accept

Coin Value Disable

\$0.05	\$0.10	\$0.20	\$0.50	\$1.00	\$2.00
Enable	Enable	Enable	Enable	Enable	Enable

Change Mgmt DisPlay Mode BA Type Set BA Bill Set Into cashbox

Large Coin Q'TY of Tu VCCS+Escrow 1 1-All

Cashflow Tube Mode Set Escrow

Cashflow Mode_1 OFF

Sell Mode Price Display Price Holding

Single Disable VMC

Cashfloat Setting

1.Mode A

MODE A

\$0.05	\$0.10	\$0.20	\$0.50	\$1.00	\$2.00
70	61	55	49	50	53

MODE B

\$0.05	\$0.10	\$0.20	\$0.50	\$1.00	\$2.00
70	61	55	49	50	53

MODE C

\$0.05	\$0.10	\$0.20	\$0.50	\$1.00	\$2.00
70	61	55	49	50	53

Coin Value Single Tube Range

Low Level

\$0.05	\$0.10	\$0.20	\$0.50	\$1.00	\$2.00
8	7	7	6	6	6

High Level

\$0.05	\$0.10	\$0.20	\$0.50	\$1.00	\$2.00
70	61	55	49	50	53

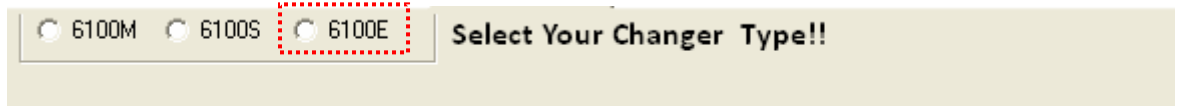
CashFloat Quantity Now

\$0.05	\$0.10	\$0.20	\$0.50	\$1.00	\$2.00
70	61	55	49	50	53

5. Click “Set Coin Changer” button to start download process.
6. To check whether the changer has been correctly setup, click “Read Setting From CC” to load changer setting and display on PC tool for confirmation.

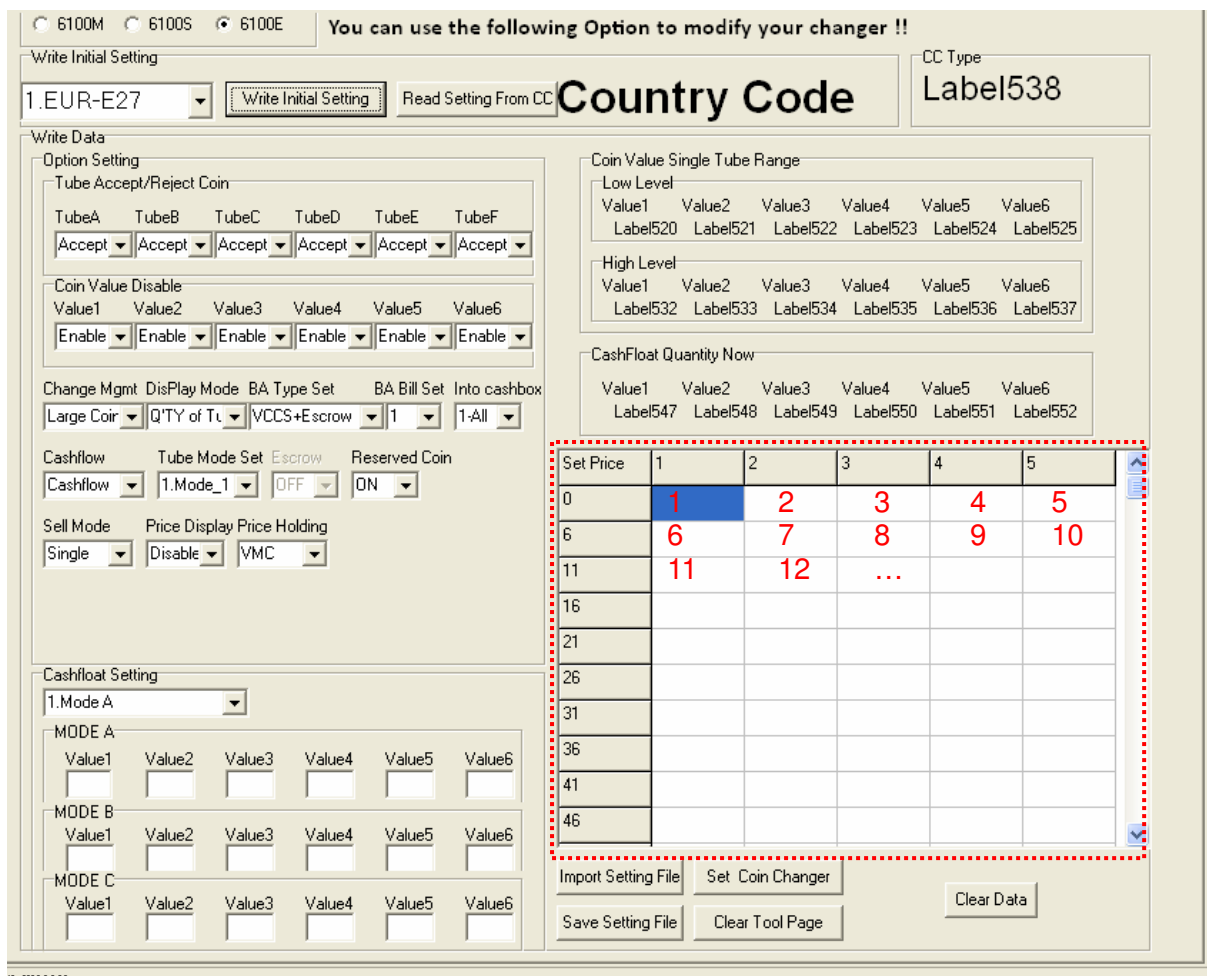
9.1.3. Set Coin Channels Executive only

1. Open PC Tool. Select “Cashfloat Setting” function item.
2. Select Changer Type.
Channel setting function only applies to 6100E type.



3. Select tube setting from the list then PC tool will display the setting. Click “Read Setting From CC” to load current changer channel setting for editing. Channel setting list in the right bottom area for editing. For price channel position, please see listed sequence as figure below.

Notice! Every block need to be filled price in before set to changer. If channel price is 0, input 0 to blocks.

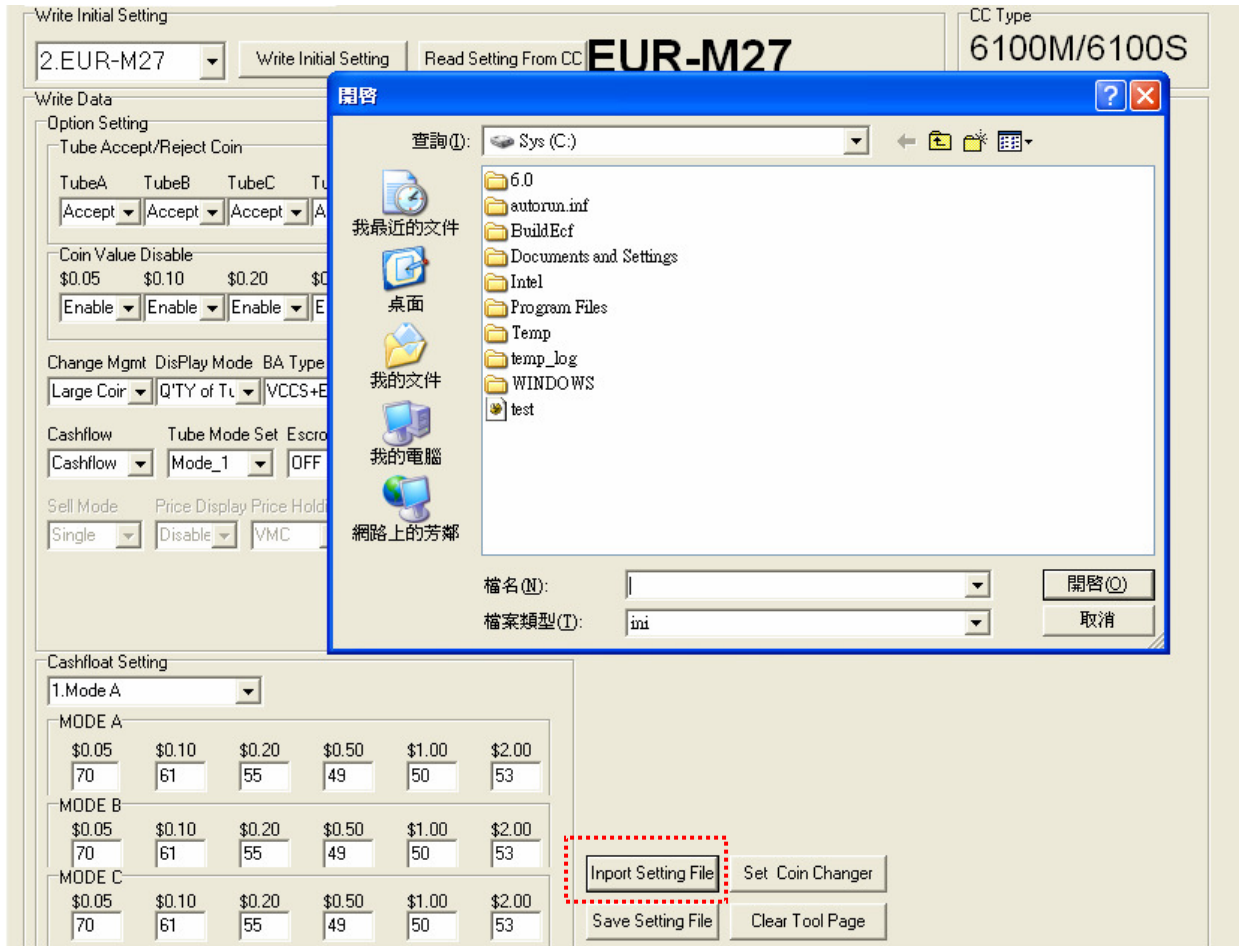


4. After filling channel price into list, click “Set Coin Changer” to save setting to changer.

9.1.4. Setup File Management

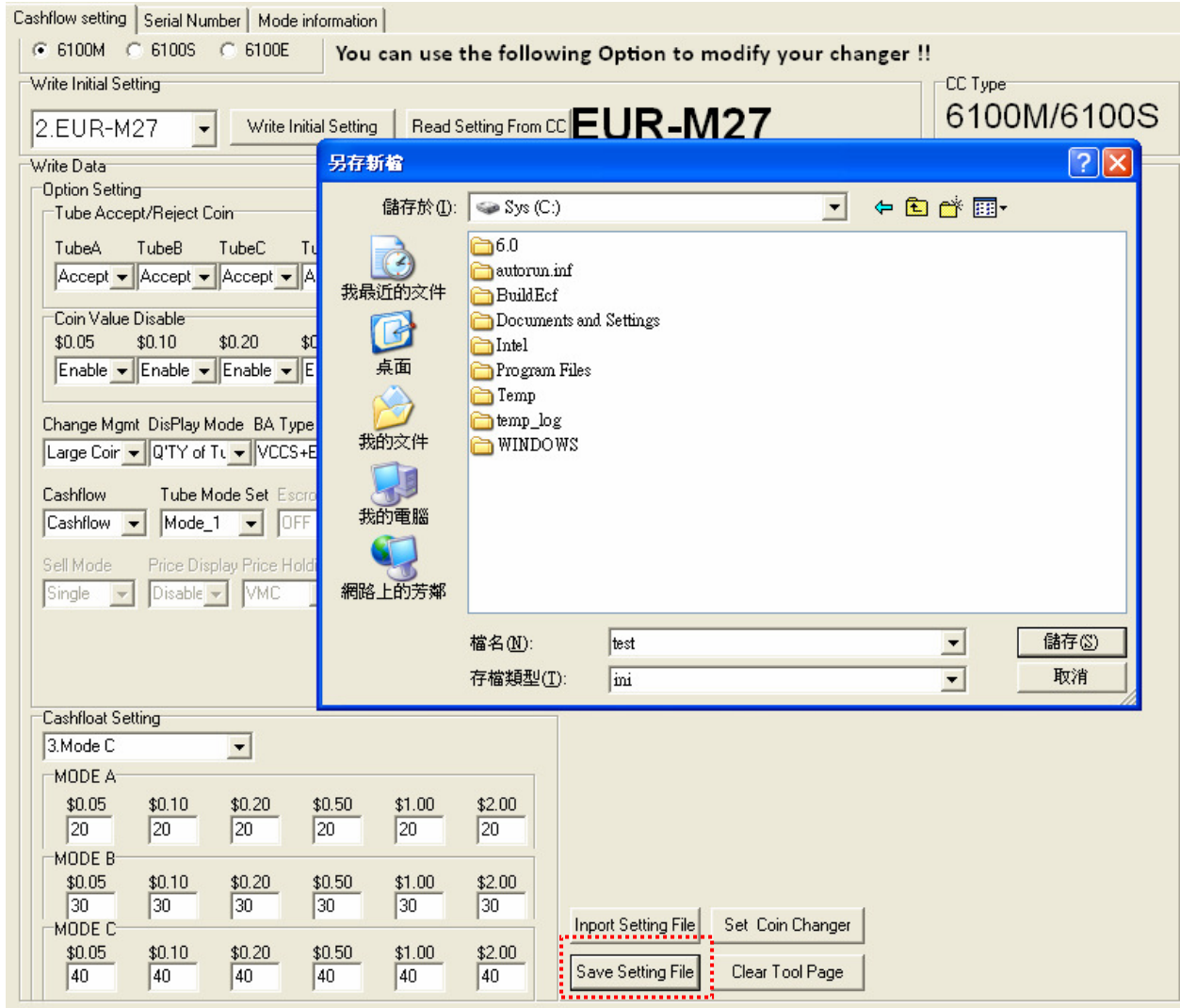
Import Setting File

1. Click "Import Setting File" to load setup file, a file selection window shows up.
 2. Choose setup file in .ini format and click open to load.
 3. PC Tool displays setting of the imported file.
- User can then click "Set Coin Changer" to download or made setup modification.



Save Setting File

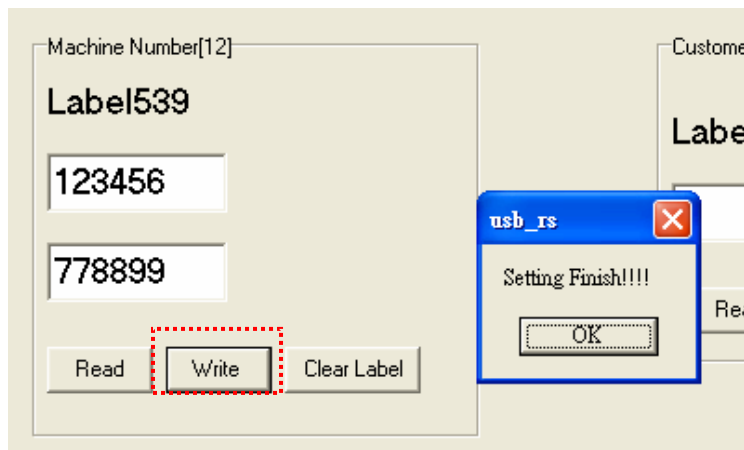
1. Choose setting options to customized configuration for saving.
2. Click “Save Setting File” to save a setup file, a file saving window shows up.
3. Choose file path and input file name, and then click save to complete saving. Setup file will be saved as an .ini file.



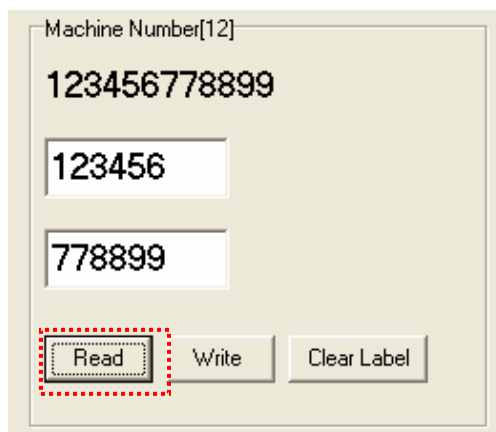
9.2. Serial Number Setting

9.2.1. Set Serial Number

1. Open PC Tool. Select "Serial Number" function item.
2. To set serial number, Input serial number in blocks. The serial number in blocks will be setting into changer.
Then click "Write" button to set serial number to changer.
"Setting Finish!" message shows up after setting finished. Click "OK" to close the message.



3. To check serial number of the changer, click "Read" button to load.
Serial number will display in blocks.
Before loading further serial number, click "Clear label" button to clear numbers in blocks.



Notice:

Customer Number contains 16 digits and each digit applies to 0 - 9.
Machine Number contains 12 digits and each digit applies to 0 - 9 or A - Z.

10. Read Audit Data

This document provides detailed audit data read out steps as following methods:

Read audit data by ICT MTB

Read audit data by IrDA

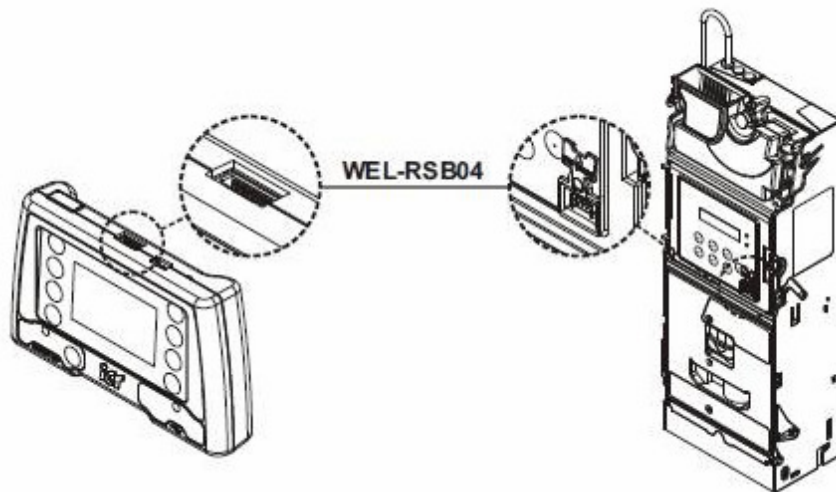
10.1. Read Audit Data by ICT MTB

10.1.1. Tools

Please prepare download box and related wire accessories ready

1. Tool Kit Box: MTB x 1pc
2. Cable-wires:
#WEL-RSB04 x 1pc

10.1.2. Connection



10.1.3. Start Read Audit Data by MTB

1. Prepare connection above and set changer in standby status for data read out.
2. Turn on MTB power and enter "Changer Operate" mode.
3. Select "Read Audit Data" to execute read out process, the .eva audit data will be saved to SD card of MTB.
Then MTB request whether to clear audit data in changer? Choose Yes/No to determine whether to clear audit data in changer.
4. Turn off MTB power before disconnection from MTB to Changer. Remove SD card from MTB to read out .eva file from PC.

*For detail MTB Instruction, please refer to MTB Manual.

10.2. Read Audit Data by IrDA

To read audit data by IrDA, please prepare tools and connection as following chapter instruction:

Chapter 8-2-1. Tools

Chapter 8-2-2. Connection

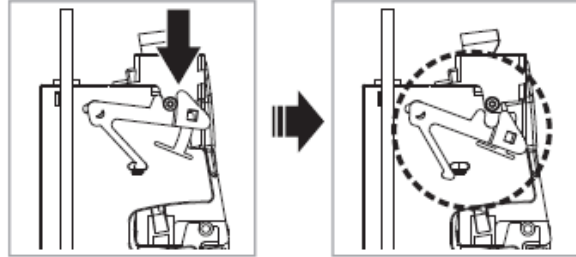
1. Prepare connection above and set changer in standby status for data read out.
2. Use PDA IrDA component to point directly to the IrDA of changer.
3. Start audit data transmission. A file format in .eva will be saved to PDA.

Notice! If audit data has been successfully read out, the audit data in changer would be automatically cleared, but not include serial numbers.

11. Module Assembling Procedure

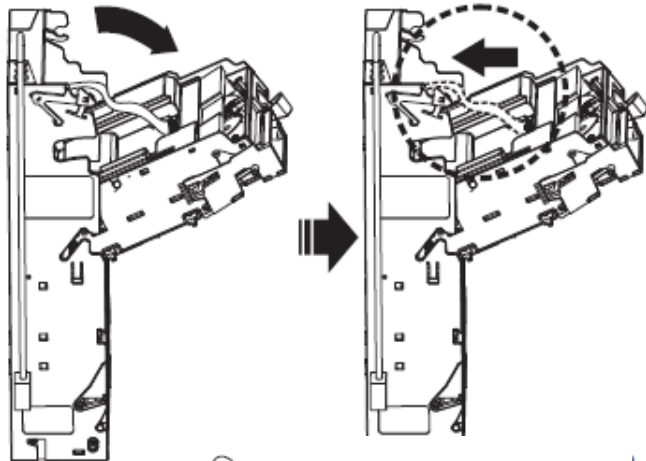
11.1. Upper Module Disassembling:

1. Press down the shell stabilization lever until the fixed axis is fully exposed.

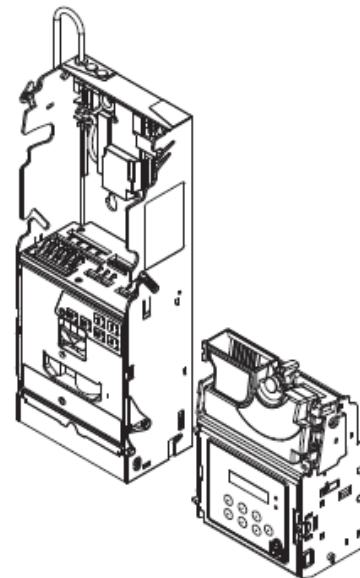


(Figure.57)

2. Pull and rotate the upper half of the module forward.



3. After the upper half of the module is pulled out, unplug the soft gray cable, and then lift upward at a 35 degree angle until the end.

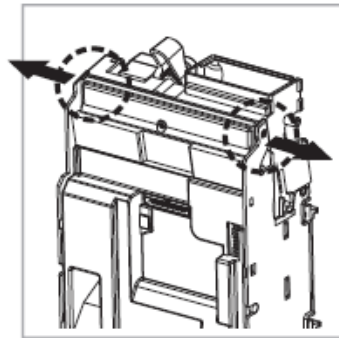


4. Pull the upper half of the module out of the shell.

(Figure.59)

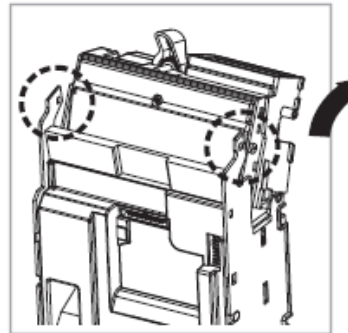
11.2. Recognition Module Disassembling:

1. Turn the upper half of the module towards the back and ensure that the two fix points of the modules are flipped to the two sides.



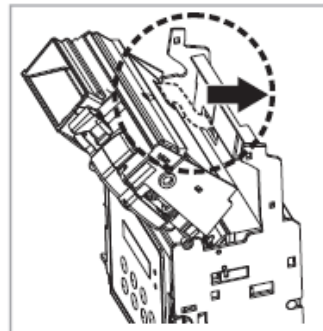
(Figure.60)

2. Pull out the recognition module.



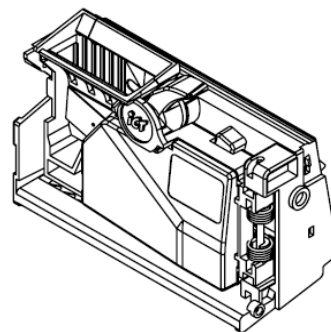
(Figure.61)

3. Unplug the wire connecting to the identification module.



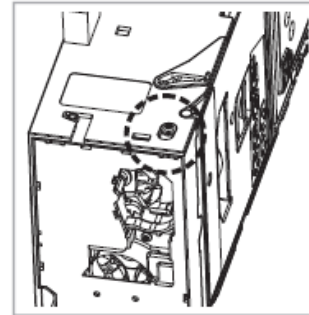
(Figure.62)

4. Pull and remove the recognition module.



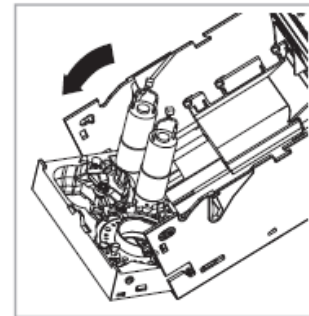
11.3. Coin Discharge Module Disassembling:

1. Remove the two screws on the sides of the coin discharge module.



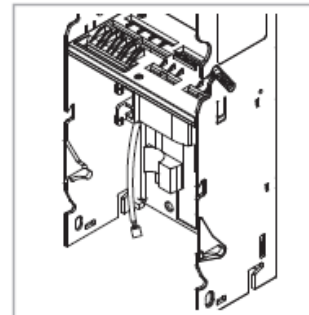
(Figure.64)

2. Rotate the coin discharge module downward 90 degrees.



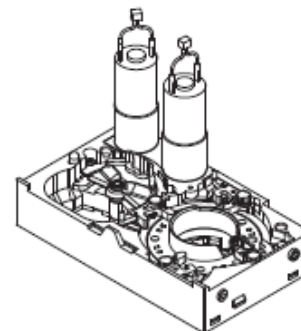
(Figure.65)

3. Unplug the wire connecting to the coin discharge module.



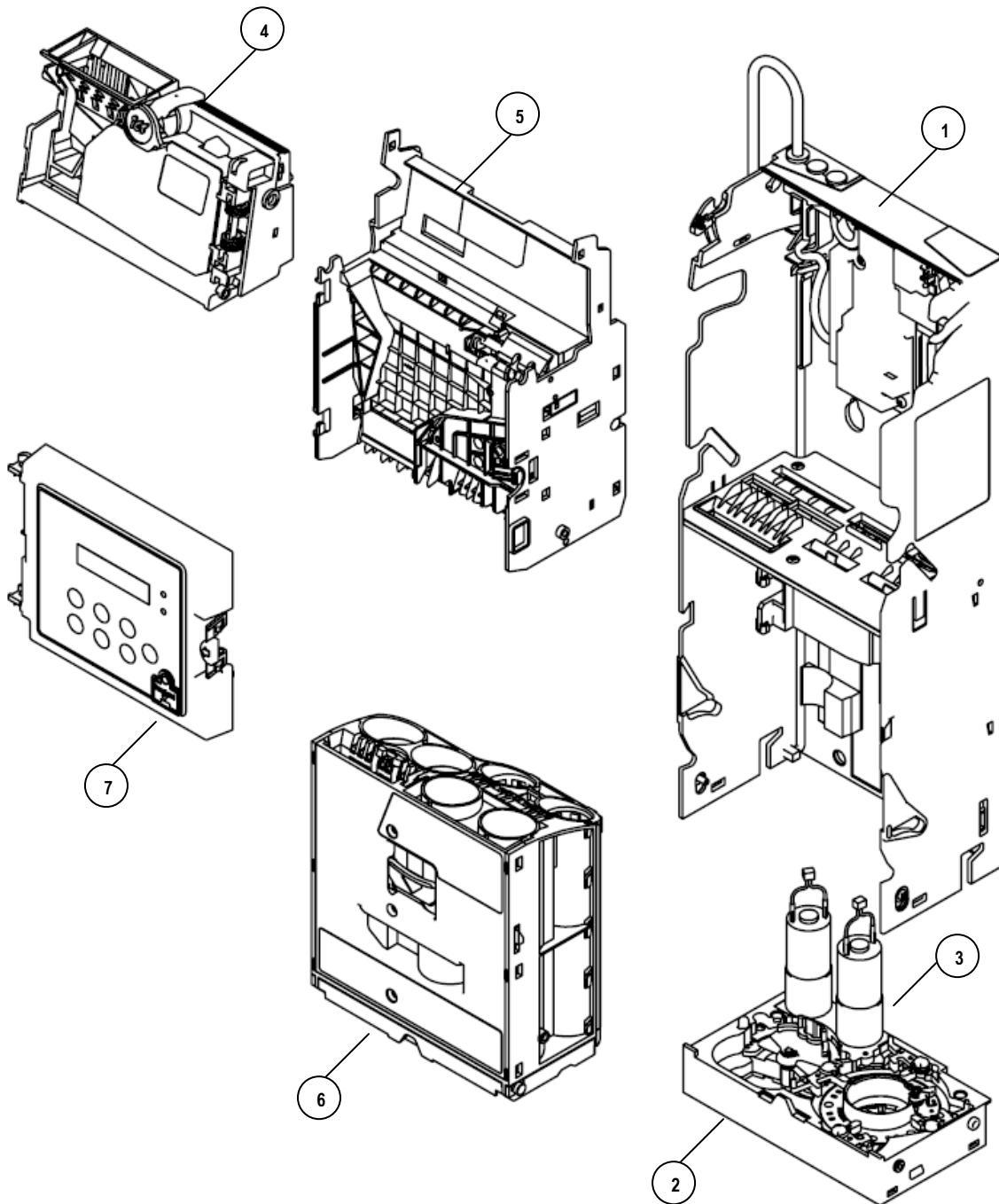
(Figure.66)

4. Pull and remove the coin discharge module.



(Figure.67)

12. Module Exploded Views



Note	Order	Part Number	Appellation	Quantity
	1	3RCC-CAS01001	Coin Change Main Machine Module	1
	2	3RCC-POK03004	Coin Changer-Coin Discharge Module	1
	3	3RCC-MOT02001	Changer Coin Discharge Motor Module	1
	4	3RCC-IDE01000	Recognition Module (2.5mm)	1
	5	3RCC-SOR01003	Coin Separation Module (ESCROW-A)	1
	6	3RCC-TUB06003	Coin Tube Module (NTD Version-2)	1
	7	3RCC-FAC01002	LCM Display Panel Module	1



International Currency Technologies Corporation

Ji-Hong Building, No 24, Alley 38, Lane 91, Nei-hu Rd., Sec. 1, Taipei, Taiwan, R.O.C.

Tel: 886-2-2797-1238 • Fax: 886-2-2797-1634

sales@ictgroup.com.tw (For Sales) • rma@ictgroup.com.tw (For Customer Service)

Website: www.ictgroup.com.tw



www.ictgroup.com.tw