
GUARDIAN 6000XL™

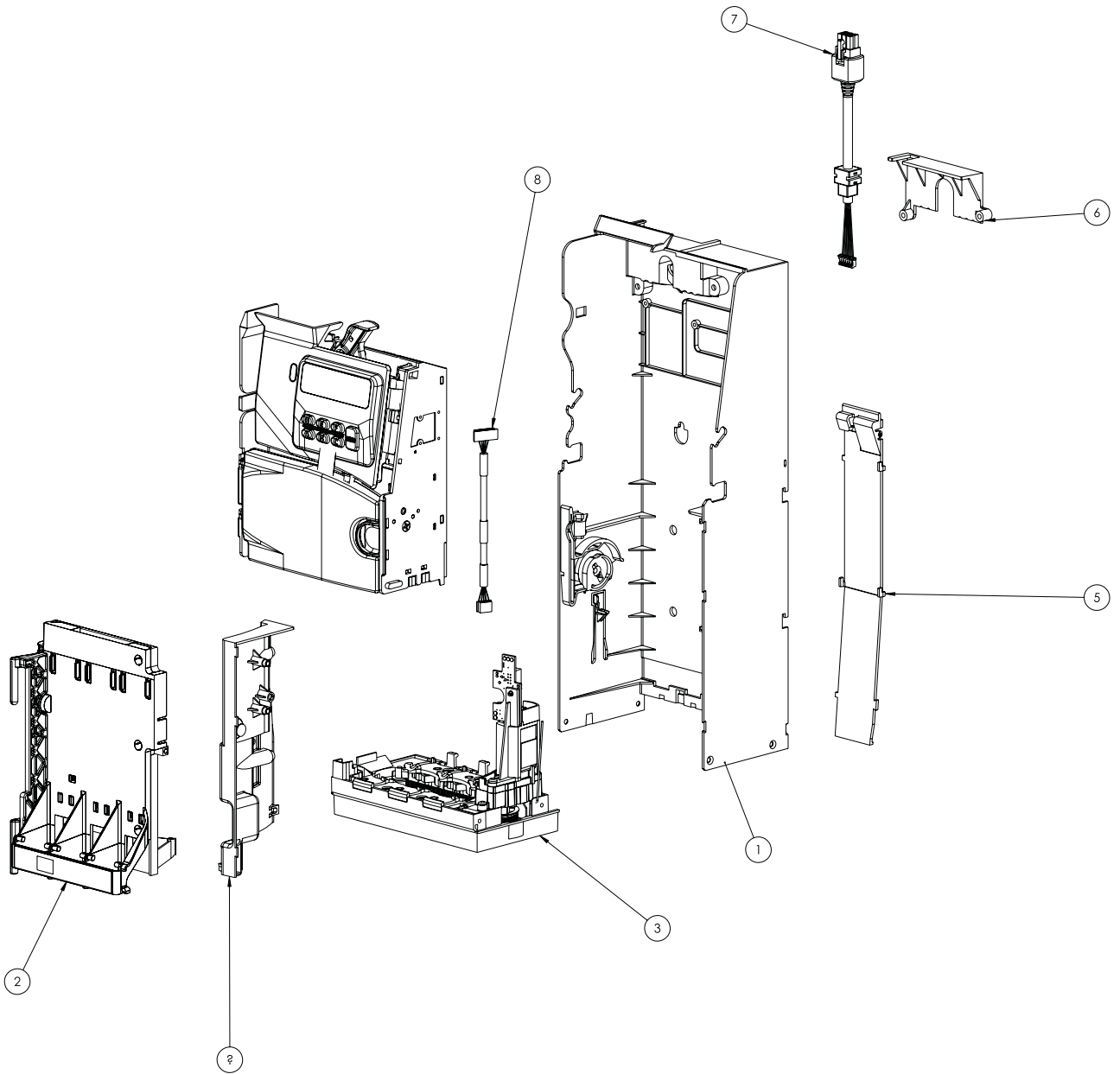


PARTS LIST



SECTION 1: PARTS LIST

OVERVIEW

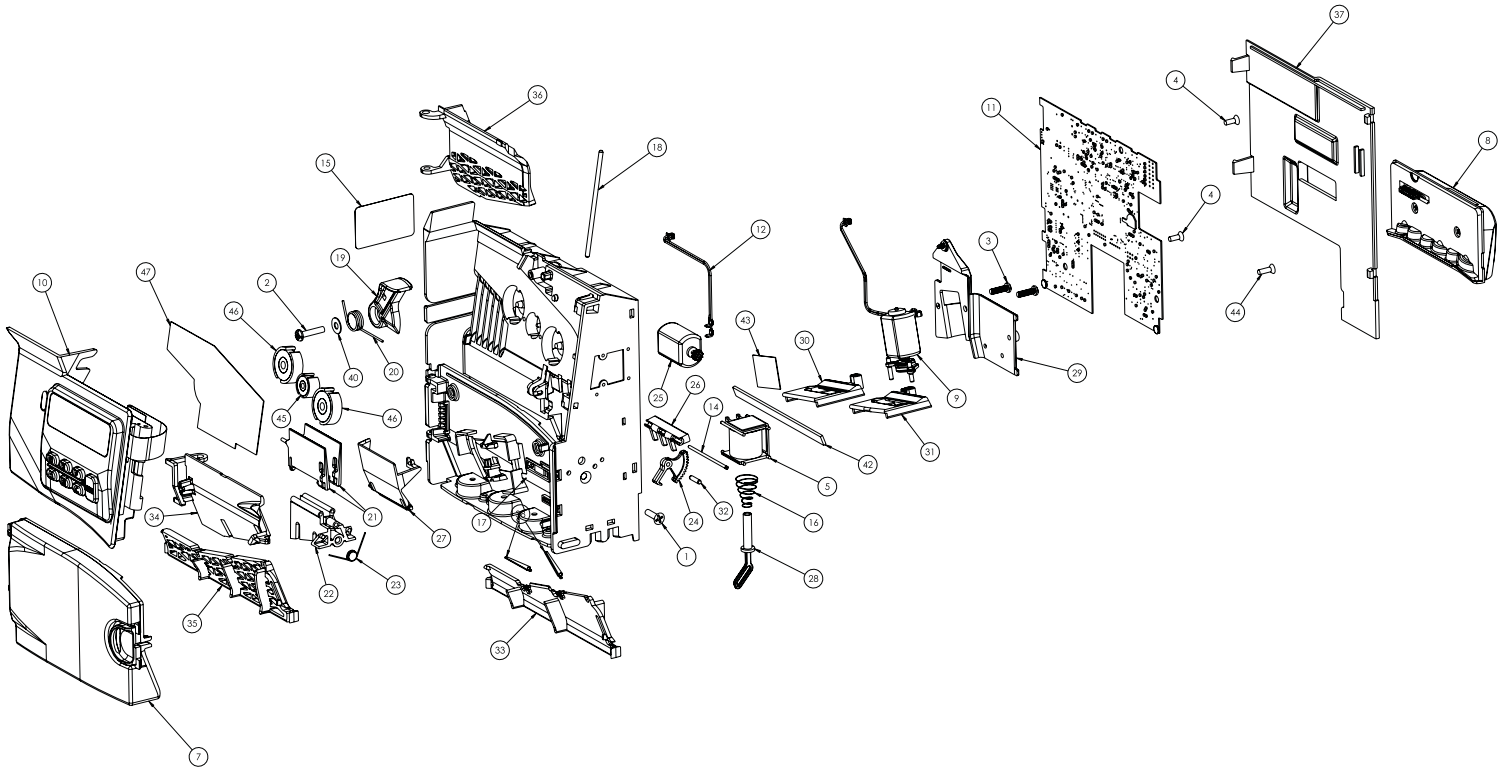


ITEM #	PART #	DESCRIPTION	NOTES
1	408818-3	ASSY, HOUSING & CAM	
2	408829-4	CASSETTE ASSY,MAIN	
3	410630-2	ASSEMBLY, PAYOUT	
4	926094-4	COVER, DRIVE LC	
5	926051-1	CHUTE, CASHBOX	
6	926096	BRACKET, HARNESS STRAIN RELIEF	
7	410016-2	HRNS,GUARDIAN MDB	

SECTION 1: PARTS LIST

ITEM #	PART #	DESCRIPTION	NOTES
8	410037-1	HRNS,LC GUARDIAN CHASSIS	
9	345-4R6	SCREW,4X3/8 PH PHIL PLAS	Not Shown
10	341S4R5	SCREW,4X5/16 FH PHIL SS PLAS	Not Shown
11	345-6R6	SCREW,6X3/8 PH PHIL PLAS	Not Shown
12	410235-1	PCB ASSY, PROTOCOL A	Not Shown
13	410140	HARNESS, DATALINK, PROT A	Not Shown
14	410141	HARNESS, MDB MASTER	Not Shown
15	410142	HARNESS, DEX, PHONO PLUG	Not Shown
16	410143	HARNESS, DEX, 15 PIN D-PLUG	Not Shown
17	410144	HARNESS, DEX, 9 PIN D-PLUG	Not Shown
18	410145-1	HARNESS, POWER, PROTOCOL A	Not Shown
19	408826-2	TUBE #6 ASSY	Not Shown
20	408825-2	TUBE #5 ASSY	Not Shown
21	408824-2	TUBE #4 ASSY	Not Shown
22	408823-2	TUBE #3 ASSY	Not Shown
23	408822-2	TUBE #2 ASSY	Not Shown
24	408821-2	TUBE #1 ASSY	Not Shown
25	921856.7	SHIM,GOLD	Not Shown
26	921800.9	SHIM,RED	Not Shown
27	921801.8	SHIM,BLACK	Not Shown
28	921462.11	SHIM,BLUE	Not Shown
29	921802.8	SHIM,LT GRAY	Not Shown
30	922023	SHIM,DK GRAY	Not Shown
31	928420-1	SHIM, EURO 5 CENT (YELLOW)	Not Shown
32	926112	SHIM,US/CAD DIME	Not Shown
33	928410	SHIM, NICKEL (BROWN)	Not Shown
34	928451	SHIM,US QUARTER (GREEN)	Not Shown

ACCEPTOR

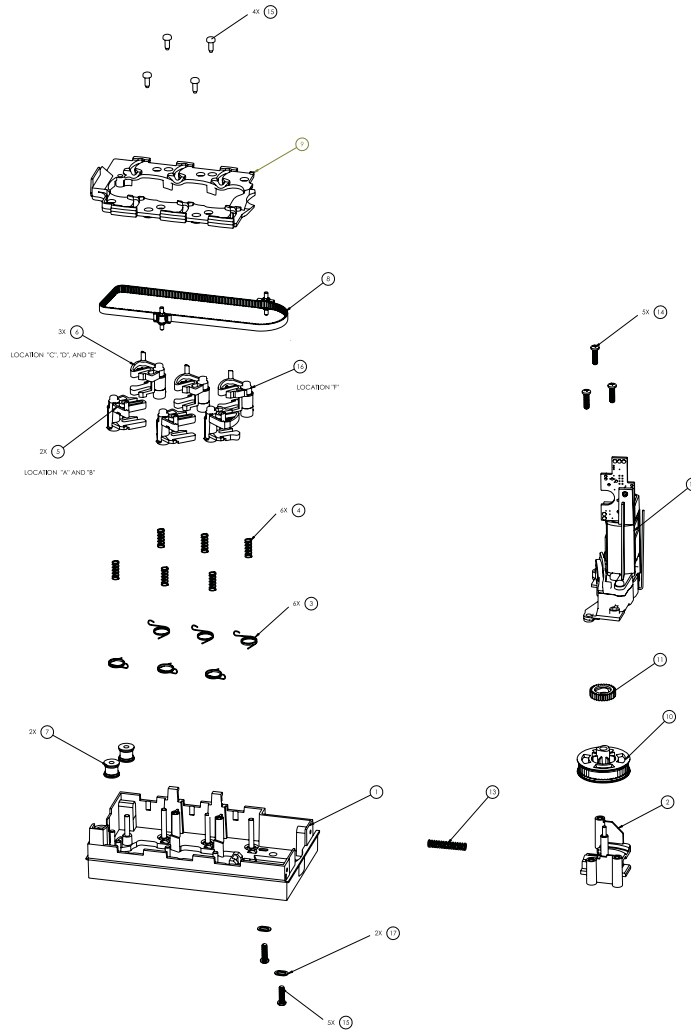


ITEM #	PART #	DESCRIPTION	NOTES
1	282-6R8	SCREW,6X1/2 FH PHIL TYPE BT	
2	296P6R10	SCREW,6X5/8 PH PHIL TYPE25 BLK	
3	345S4R7	SCREW,4X7/16 PH PHIL SS PLAS	
4	341S4R5	SCREW,4X5/16 FH PHIL SS PLAS	
5	407981-2	SOLENOID & 'C' FRAME ASSY	
7	410471-1	ASSY, FRNT COVER W/ TUBE SENSE	
8	410470-1	ASSY, REAR SPEAKER	
9	408815-1	ASSY, MOTR & SLIDE SPRING	
10	410442-3	ASSY, GATE, LCD, NO IRDA, C	
11	410234-5	PCB ASSY, ACCEPT C CL.8A	
12	410014	HRNS,GUARDIAN SORT MOTOR	
14	921785	PIN,DIVERTER SHORT	
15	925044	LBL, ACPTR SERIAL	
16	925288	SPRING,FRONT BACK SOLENOID	
17	926001-3	MAINPLATE LARGE C COIL	
18	926004	PIN, GATE	
19	926006	LEVER, ESCROW	
20	926007-1	SPRING, ESCROW	
21	926011	DOOR, SORTING	
22	926012	MOUNT, SORTING DOORS	

SECTION 1: PARTS LIST

ITEM #	PART #	DESCRIPTION	NOTES
23	926013	SPRING, SORTING DOORS	
24	926014-1	ARM, SORTING DOORS	
25	926015	MOTOR, SORTING, PINION	
26	926017-1	LEVER, ANTI-STRING	
27	926018	GATE, CASHBOX	
28	926019	YOKE, CASHBOX	
29	928204-1	RETAINER MOTOR	
30	926022-1	SLIDE, SORTING B-E	
31	926023-1	SLIDE, SORTING C-F	
32	926025	SHAFT, SORTING ARM	
33	926027	COVER, INT-BACK LOWER	
34	926028	COVER, INT-BACK UPPER	
35	926029	COVER, INT-FRONT LOWER	
36	926030	COVER, INT-FRONT UPPER	
37	926031	COVER, ACCEPTOR REAR	
38	926038	COIN STOP, REAR	
40	926213	WASHER, ESCROW LEVER VORTEX	
42	926048	FOAM STRIP, REAR SPEAKERS	
43	928205	PAD THERMAL	
44	282-4R6	SCREW, 4X3/8 FH PHIL TYPE BT	
45	407825-6	TAU COIL & POT CORE	
46	408540-1	MAG WIRE & CORE ASSY	
47	928400	LENS, MAINPLATE GUARDIAN	

PAYOUT



ITEM #	PART #	DESCRIPTION	NOTES
	410630-2	ASSEMBLY, PAYOUT	
1	928125-1	BASE, PAYOUT	
2	928129	BLOCK, TENSION	
3	928138	SPRING, SWEEPER	
4	928139	COMPRESSION SPRING, SWEEPER	
5	928131-800	SWEEPER A & B MACHINED	
6	928133	SWEEPER. SHORT SPRING LOADED	
7	928525	PULLEY IDLER BLACK BELT	
8	410840	ASSEMBLY, XL GRAY BELT	
9	928126-2	COVER, PAYOUT	
10	410380	ASSEMBLY, 52T PULLEY SNAP	
11	928136	GEAR, 48DP 30T, P/M	
12	410040-2	GEARBOX ASSEMBLY	
13	928140	SPRING, TENSION BLOCK	
14	345S4R7	SCREW,4X7/16 PH PHIL SS PLAS	
15	345-4R5	SCREW,4X5/16 PH PHIL PLAS	
16	928142	SWEEPER. SPRING LOADED "F"	
17	927474	WASHER, OBLONG	



For United States:
Coin Acceptors, Inc.
World Headquarters
300 Hunter Avenue
St. Louis, MO 63124-2013
(314) 725-0100 or 1-800-325-2646

For Canada:
Coin Acceptors, Inc.
Canadian Headquarters
1-435 Four Valley Drive
Concord (Toronto), Ontario
LK4 5X5 Canada
(905) 738-5777 or 1-800-387-9300

For Europe:
Coin Acceptors Europe Limited.
4 The Felbridge Centre
Imberhorne Lane
East Grinstead
West Sussex
RH19 1XP
+44(0)1342 315724

email: techsupport@coinco.com
www.coinco.com