

---

# VANTAGE®

---

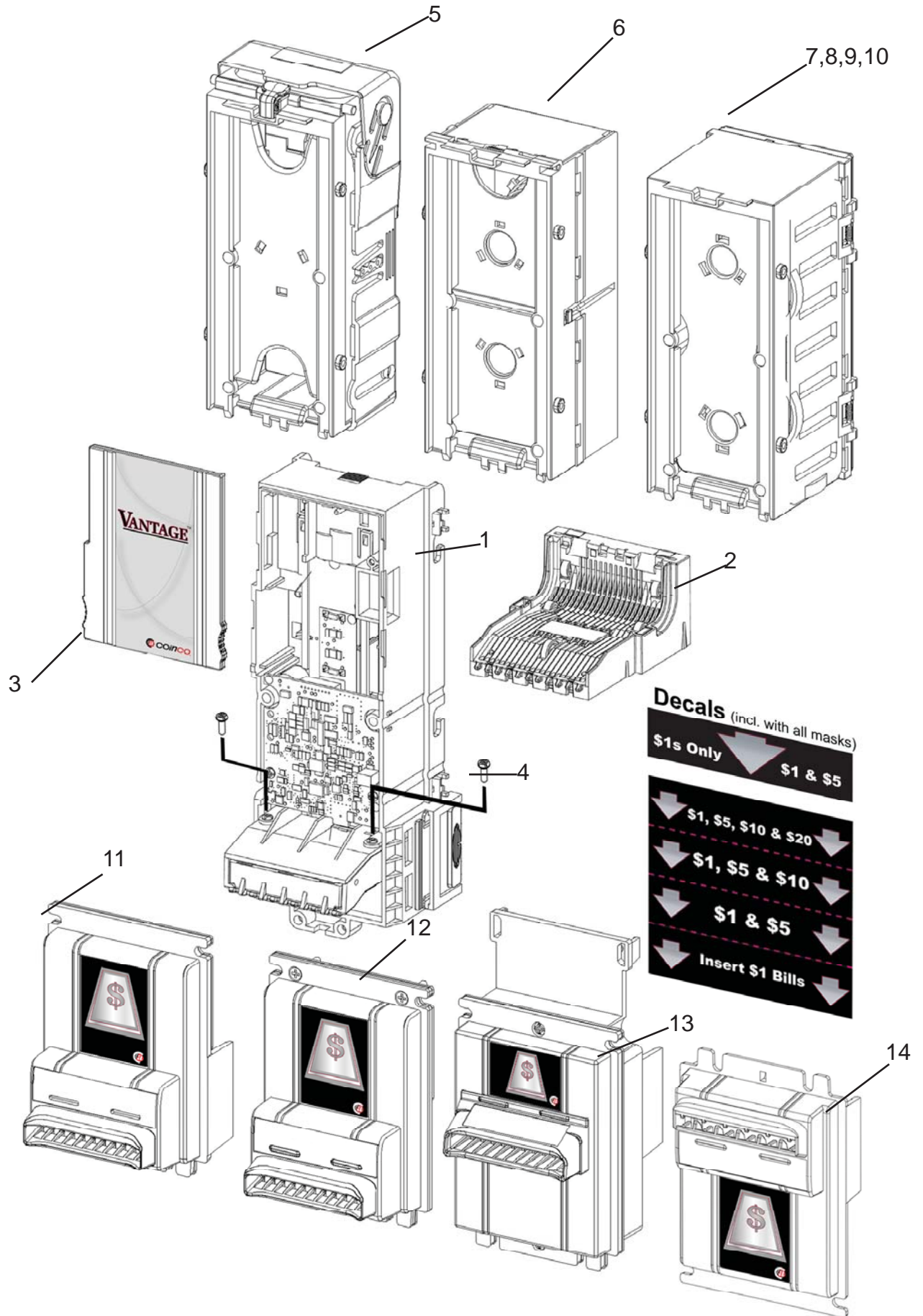


## PARTS LIST



# SECTION 1: PARTS LIST

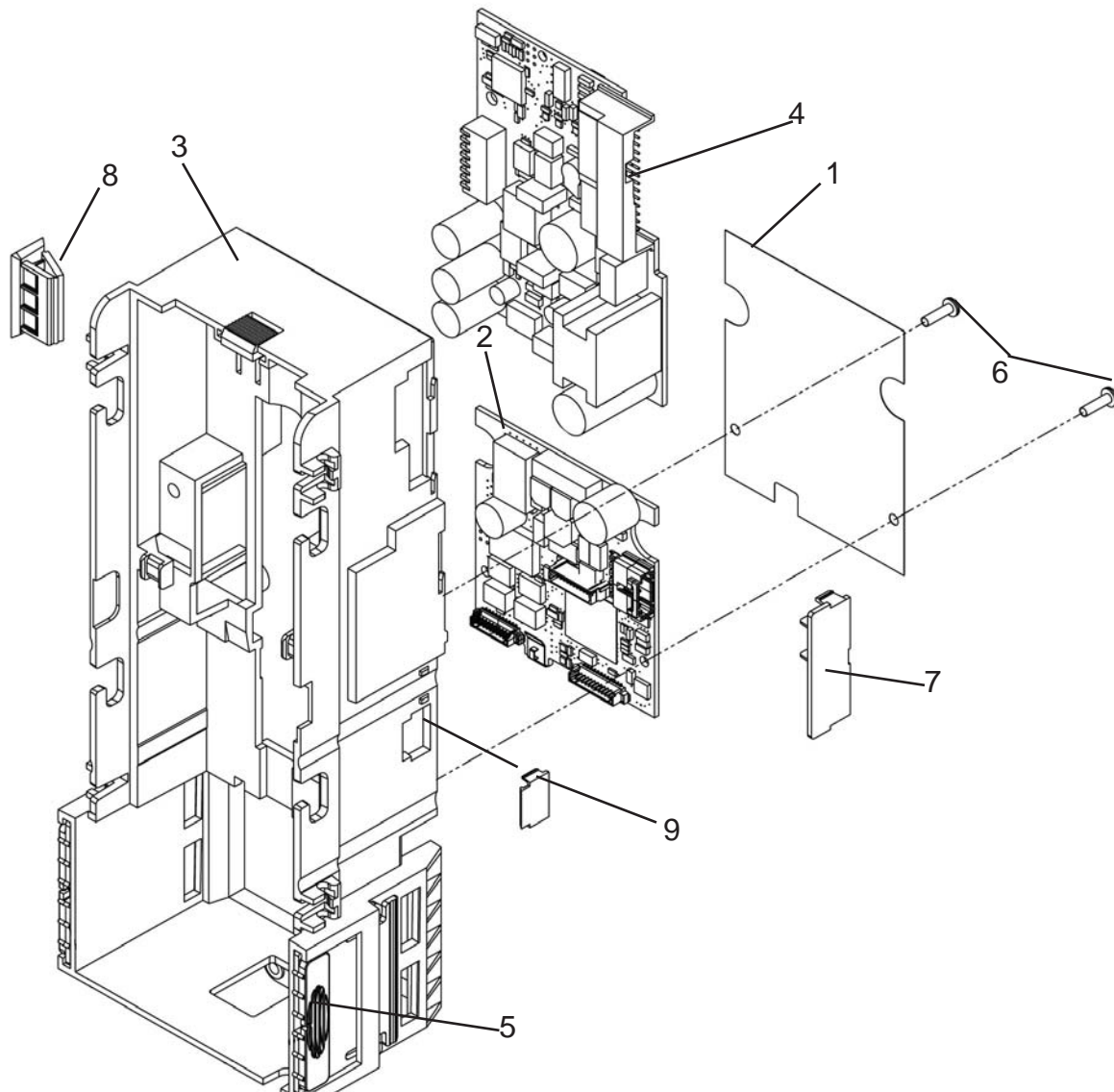
## MAINFRAME ASSEMBLY, CASHBOXES, & MASKS



## SECTION 1: PARTS LIST

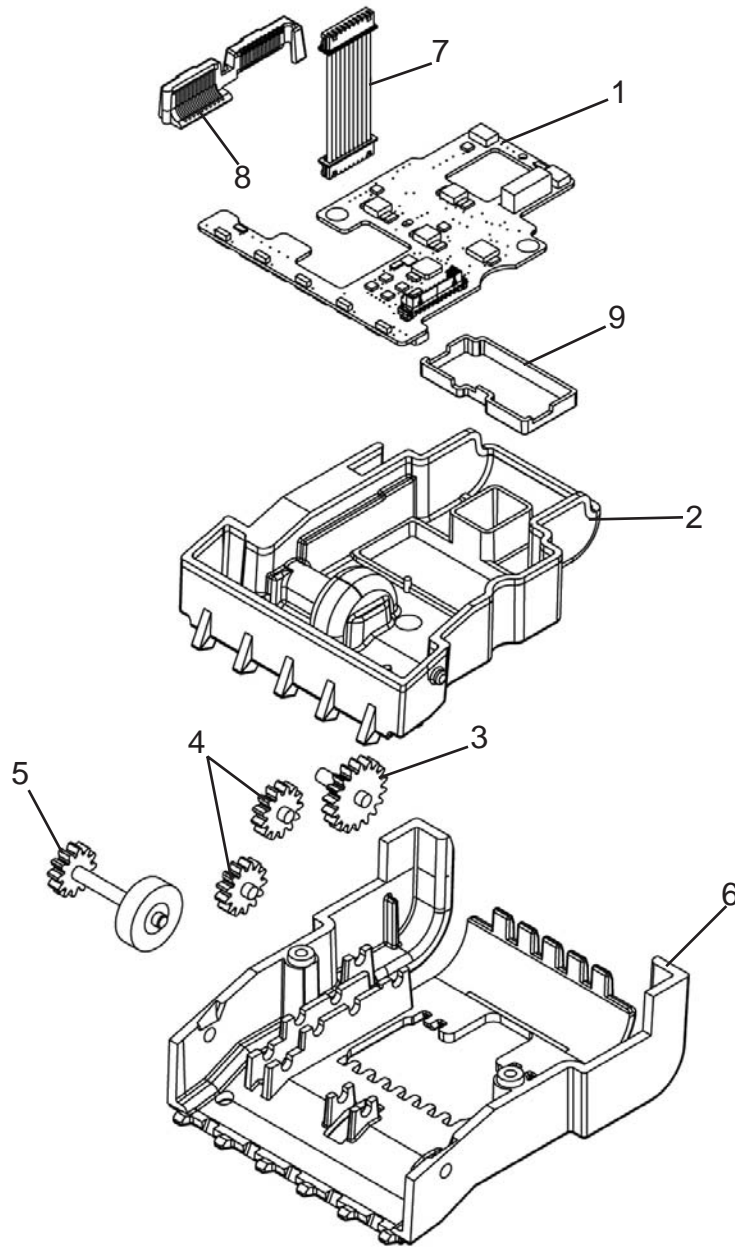
ITEM #	PART #		DESCRIPTION	QTY	NOTES
	66mm	73mm			
1	410199	410198	Mainframe Assembly - MDB	1	Blue LEDs
	410199-1	NA	Mainframe Assembly - Amusement	1	Blue LEDs
2	410195-1	410194	Lower Housing Assembly	1	Blue LEDs
3	927909-2		Front Cover - Mainframe	1	
4	345-4R6		Screw	2	
5	410160	NA	Cashbox Assembly	1	
6	410161	410816	FlexStack™ (200 - 500 Note)		
7	410162	410815	300 Note		
8	410163	NA	400 Note		
9	410164	NA	700 Note		
10	410165	NA	900 Note		
11	410166	410179	1100 Note	1	Not Shown
12	410167	NA	<u>Inlet Bezel Assembly</u> Basic		
13	410168	410181	Basic - Metal		
14	410169	NA	Slimline		
15	407992	NA	Downstack Retro Mag		
16	409415		MDB Harness	1	Not Shown

## MAINFRAME &amp; MAIN LOGIC BOARDS

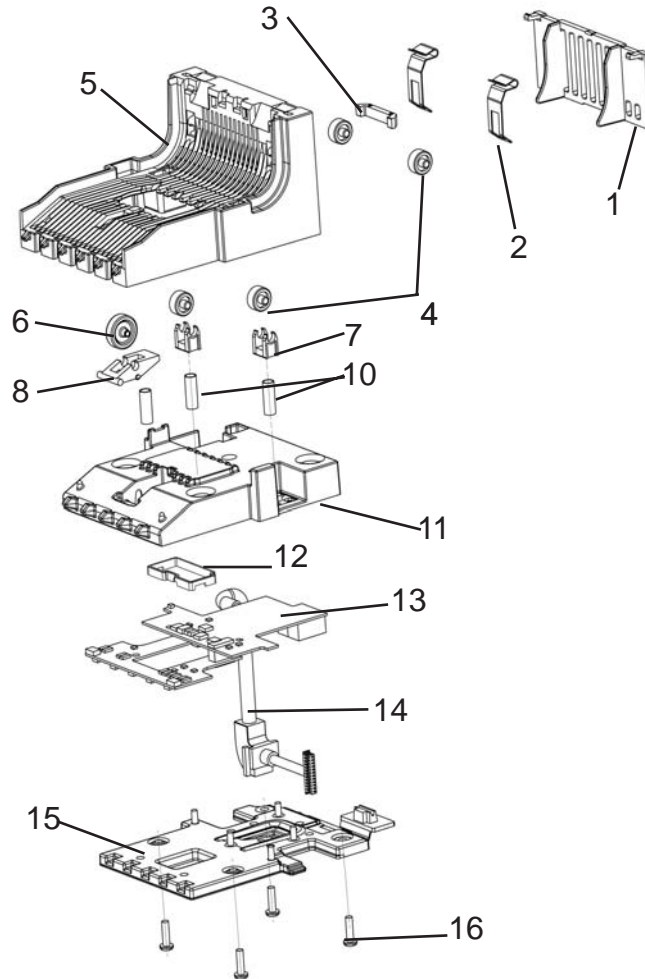


ITEM #	PART #		DESCRIPTION	QTY	NOTES
	66mm	73mm			
1	926325		Main Logic Board Insulator - 110VAC	1	
	927494		Main Logic Board Insulator - All Others	1	
2	409440P		Main Logic Board - MDB	1	MDB Only
	409440-1	NA	Main Logic Board Amusement		Use with 409408-1S
3	410042	410085	Mainframe	1	Includes Item #5
4	409438S		24VAC Logic Board - Legacy	1	Use with 409440P
	409408S		110VAC Logic Board - Legacy	1	Use with 409440P
	409408-1S	NA	110VAC Amusement Logic Board	1	Use with 409440-1
5	927905		Quick Release Finger	2	
6	345-4R6		Screw	2	
7	928032		30 Pin Cover	1	MDB Only
8	928031		Dip Switch Cover	1	MDB Only
9	928038	NA	MDB Cover	1	Amusement Only

## UPPER SENSOR BOARD &amp; UPPER HOUSING ASSEMBLY

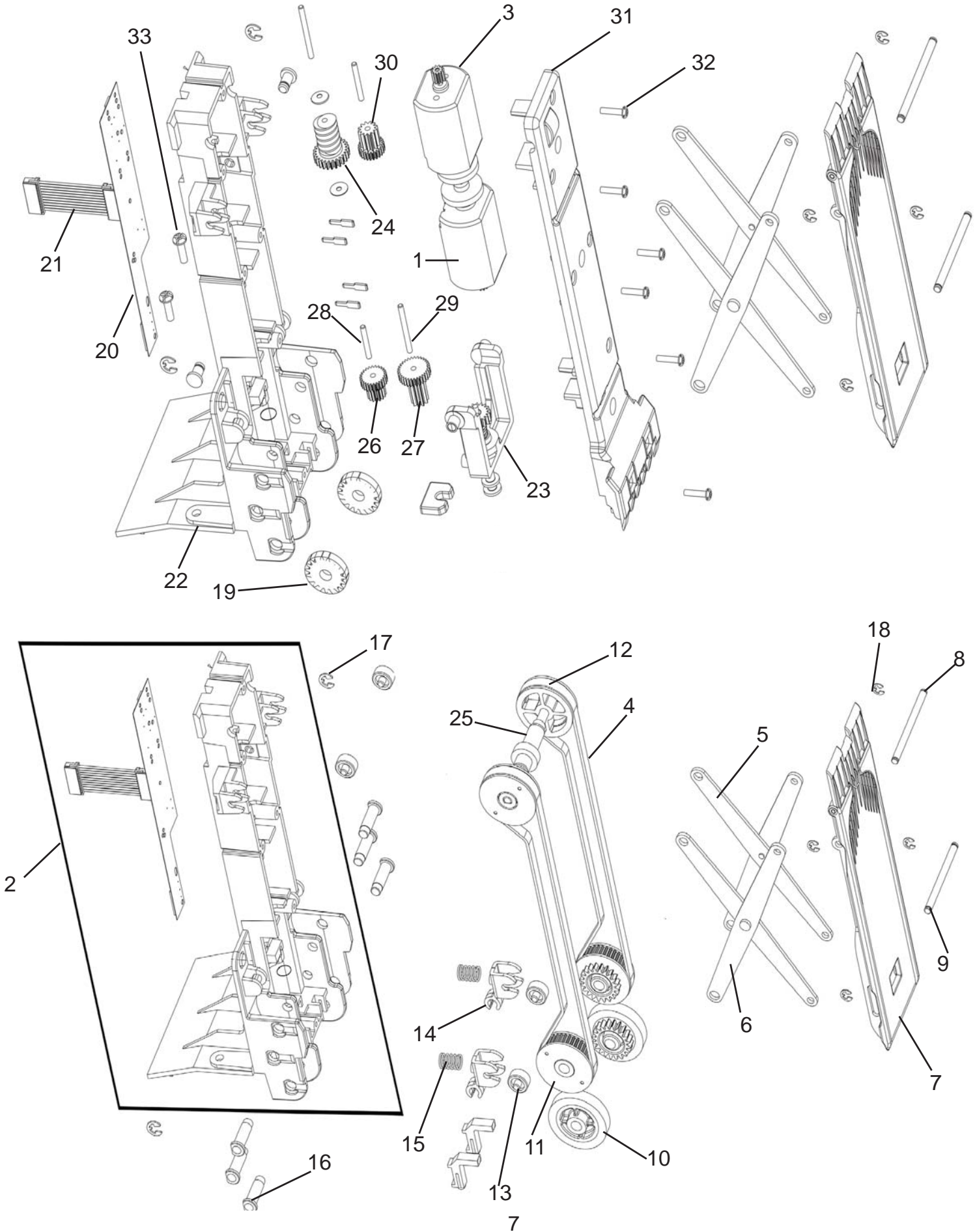


ITEM #	PART #		DESCRIPTION	QTY	NOTES
	66mm	73mm			
1	409401-2S		Upper Sensor Board Assembly (Blue)	1	
	409401-1S		Upper Sensor Brd Assembly (Green)	1	
2	927230-1		Upper Enclosure	1	
3	927011		Inlet Gear, 18 tooth	1	
4	927012		Inlet Gear, 13 tooth	2	
5	410036-2		Inlet Roller Assembly	1	
6	927229	928000	Upper Housing	1	
7	409413		Upper Sensor Harness	1	
8	929001-3		Harness Grommet	1	
9	927511		Validation Shroud	1	

**LOWER HOUSING  
ASSEMBLY**


ITEM #	PART #		DESCRIPTION	QTY	NOTES
	66mm	73mm			
1	927916	927998	Lower Housing Back Cover	1	
2	927236-2		Flat Pinch Spring	2	
3	925594		Light Pipe	1	
4	171730.1		Pinch Roller	4	
5	927045	927995	Lower Housing	1	
6	927238		Inlet Roller	1	
7	927933		Roller Housing	2	
8	927239		Inlet Roller Retainer	1	
9	927272		Mode Button	1	Not Shown
10	927235		Coil Spring	2	
11	927055-1	927026	Lower Enclosure	1	
12	927511		Validation Shroud	1	
13	409402-2S	409434-2S	Lower Sensor Board Assy (Blue)	1	
	409402-1S	409434-1S	Lower Sensor Brd Assy (Green)	1	
14	409414		Lower Sensor Harness	1	
15	927234-1	927997-1	Bottom Cover	1	
16	345-4R6		Screw	4	

CHASSIS GEAR CASE ASSEMBLY



## SECTION 1: PARTS LIST

ITEM #	PART #		DESCRIPTION	QTY	NOTES
	66mm	73mm			
1	410049		Stacker Motor Assembly	1	Black Stripe
2	410422		Chassis and Board Assembly	1	
3	410026		Transport Motor Assembly	2	
4	927205		Belt	2	
5	410031		Right Scissors Assembly	1	
6	410031-1		Left Scissors Assembly	1	
7	410055		Push Plate Assembly	1	
8	927043		Top Push Plate Shaft	1	
9	927044		Bottom Push Plate Shaft	1	
10	927023		Transport Drive Roller	2	
11	410029		Pulley, Gear Assembly	2	
12	410028		Drive Pulley Assembly	2	
13	171730.1		Pinch Roller	4	
14	927202		Belt Tensioner	2	
15	927038		Belt Tension Spring	2	
16	927245		Pulley Shaft	6	
17	927223		E-Ring	2	
18	927222		E-Ring	4	
19	927010		Idler Gear	2	
20	409436		PCB Assembly, Motor	1	
21	409416		Hrns, Chassis Motor	1	
22	927200-1		Chassis	1	
23	410027		Stacker Nut Assembly	1	
24	927006		Gear, Spur Worm 25 teeth	1	
25	410034		Transport Shaft Assembly	1	
26	927007		Gear, 25 Teeth - 16 Teeth	1	
27	927008		Gear, 30 Teeth - 10 Teeth	1	
28	927228		Shaft, 25 Teeth - 16 Teeth	1	
29	927227		Shaft, 30 Teeth - 10 Teeth	1	
30	927005		Gear, 24 Teeth - 12 Teeth	1	
31	927201		Chassis Cover	1	
32	345-2R8		Screw	6	
33	345-4R6		Screw	2	
34	345-2R6		Screw	1	Not shown
35	927441		Stack Position Sensor Cover	1	Not shown





*For United States:*  
Coin Acceptors, Inc.  
World Headquarters  
300 Hunter Avenue  
St. Louis, MO 63124-2013  
(314) 725-0100 or 1-800-325-2646

*For Canada:*  
Coin Acceptors, Inc.  
Canadian Headquarters  
1-435 Four Valley Drive  
Concord (Toronto), Ontario  
LK4 5X5 Canada  
(905) 738-5777 or 1-800-387-9300

*For Europe:*  
Coin Acceptors Europe Limited.  
4 The Felbridge Centre  
Imberhorne Lane  
East Grinstead  
West Sussex  
RH19 1XP  
+44(0)1342 315724

**email: [techsupport@coinco.com](mailto:techsupport@coinco.com)**  
**[www.coinco.com](http://www.coinco.com)**